



**PUBLIC WORKS**  
Engineering

**DATE:** May 8, 2026

**TO:** PAUL ZACHARY,  
PUBLIC WORKS DEPUTY  
DIRECTOR

**FROM:** H. SOMDECERFF, *HAS*  
PUBLIC WORKS DESIGN  
MANAGER

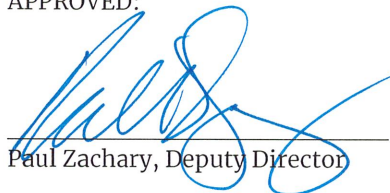
The Specification Review Committee recommends and asks the Public Works Deputy Director to approve the following:

1. Approve Modification to Standard Detail 409B - Concrete Manhole Collar for Asphalt Roads.  
Summary of change: The original Standard Detail 409 was divided into two Standard Details (409A & 409B) to clarify the different manhole collar shapes and their use in specific road types. The circular manhole collar 409B is to be used for Asphalt Road types.

Please call LaNay Cosby at (918) 596-9565 if you have any questions.

Thank you,

APPROVED:

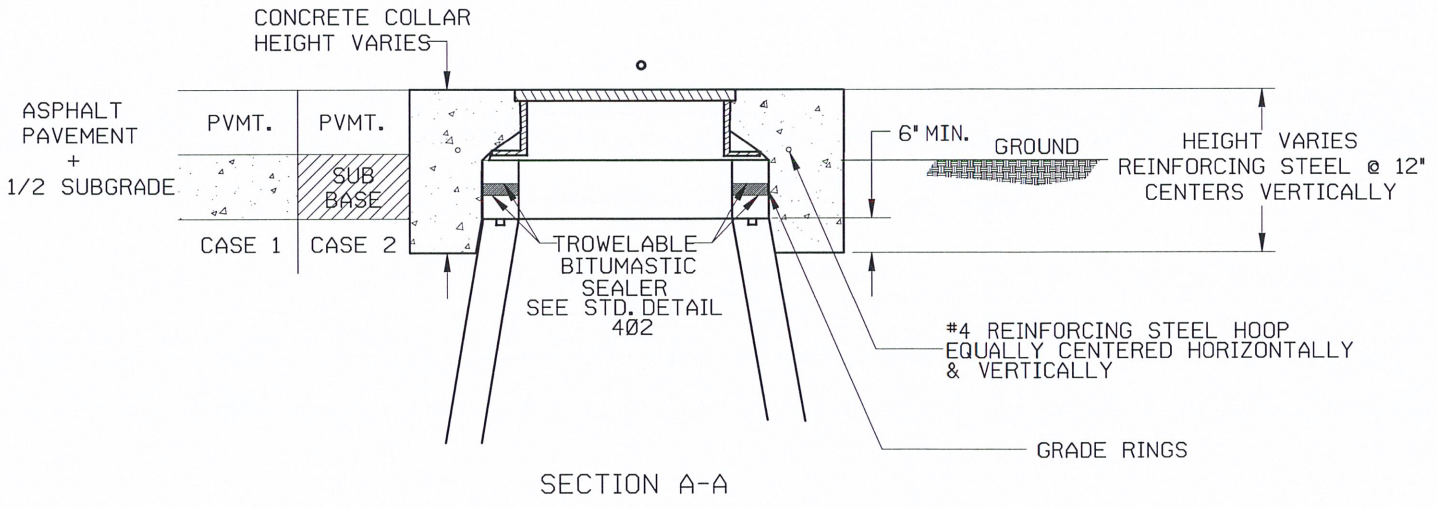
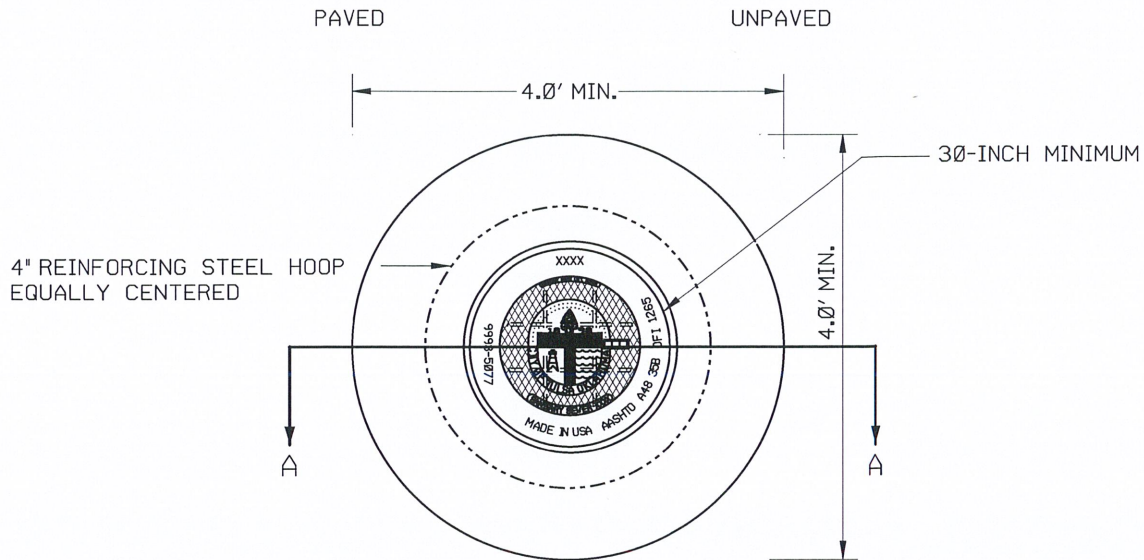
  
\_\_\_\_\_  
Paul Zachary, Deputy Director

*05-19-26*  
\_\_\_\_\_  
Date

1836 x 1898

TUL \* USA

Cc: Public Works Engineering Services Specification Review Committee



**CASE 1**  
COLLAR SHALL EXTEND TO TOP OF CONCRETE (REBAR REQ.)

**CASE 2**  
COLLAR SHALL EXTEND 3" BELOW BOTTOM OF LOWEST GRADE RING (REBAR REQ.)

CONCRETE MANHOLE COLLAR DETAIL  
CIRCULAR  
NOT TO SCALE

NOTES: CONCRETE MANHOLE COLLARS ARE REQUIRED FOR ALL NEW AND REHABILITATED MANHOLES LOCATED IN THE PAVED AREAS AND SHALL BE BROUGHT TO FINISH GRADE WITH CONCRETE. COLLARS SHALL NOT BE USED IN UNPAVED AREAS OR FOR RAISED MANHOLES. REFER TO SPECIFICATIONS 416.3.12 FOR MORE DETAILS AND PAYMENT INFORMATION.

CONCRETE MANHOLE COLLAR FOR ASPHALT ROADS	
CITY OF TULSA, OKLAHOMA	
DRAWN BY: D.J.N. CHECKED BY: <i>tgp</i> DATE: MAY 2026	APPROVED <i>T. J. Sobel</i>
NOT TO SCALE	STANDARD NO. 409B