



WATER AND SEWER
Engineering Design

DATE:
April 17, 2026

TO:
Plan Holders
Contractors

FROM:
Jenna Richardson
918-596-9637
jennarichardson@cityoftulsa.org

EMAIL TRANSMITTAL

ADDENDUM NO. 1

**PROJECT NO. ES 2024-17 CITYWIDE LIFT STATION IMPROVEMENTS
CHEROKEE PARK LIFT STATION**

Number of pages: **8**

All addenda to the contract documents should be denoted on the
last page of the Proposal in the space provided.

Thank you,
Contract Administration



WATER AND SEWER
Engineering Design

DATE:
April 17, 2026

**ADDENDUM NO. 1
TO
PROJECT NO. ES 2024-17 CITYWIDE LIFT STATION IMPROVEMENTS
CHEROKEE PARK LIFT STATION**

This Addendum No. 1 consisting of four (4) items, submitted by HUB Engineers, is hereby made a part of the Contract Documents to the same extent as though it were originally included therein and shall supersede anything contained in the Plans and Specifications with which it might conflict. **All addenda to the contract documents should be denoted on the last page of the Proposal in the space provided.**

This Addendum No. 1 consists of the following:

1. The attached documents list the detailed items that have been modified in Addendum No. 1. These documents shall be inclusive and apply to this project.

All other provisions of the Plans and Specifications shall remain in full force and effect.

CITY OF TULSA

Eric Lee
Director

FOR

HAS typ AR
HAS/TGP/ALJR/kt

00000 x 00000

TUL x USA



ENGINEERS

**ADDENDUM NO. 1
APRIL 16, 2026**

**PROJECT NO. TMUA ES 2024-17
CITYWIDE LIFT STATION IMPROVEMENTS
CHEROKEE PARK LIFT STATION**

This Addendum No. 1, consisting of two (2) items are hereby made a part of the Contract Documents to the same extent as though it were originally included therein, and shall supersede anything contained in the Plans and Specifications with which it might conflict. **All addenda to the contract documents should be denoted on the last page of the Proposal in the space provided. Failure to do so shall result in the bid being deemed non-responsive.**

VOLUME II - SPECIFICATIONS:

1. MODIFY SPECIFICATION SECTION 11.1 VERTICAL DRY PIT PUMPS TO INCLUDE THE FOLLOWING:
 - a. Refer to Section 2.1.D – Add the following new paragraph:

“2. Contractor shall provide and install new 3/8” polytube seal water tubing from the mechanical seal to the existing wall connection. Install a new 3/8” stainless ball valve at the wall connection Provide connections, fittings and strapping as required for a complete seal water system.”

VOLUME III - CONSTRUCTION DRAWINGS:

2. REMOVE AND REPLACE THE FOLLOWING PLAN SHEETS:
 - a. LIFT STATION DEMOLITION PLAN (DRAWING SHEET 11)
 - b. LIFT STATION FLOOR PLAN (DRAWING SHEET 12)
 - c. CONTROL BUILDING (DRAWING SHEET 15)
 - d. CONTROL BUILDING DETAILS (DRAWING SHEET 17)

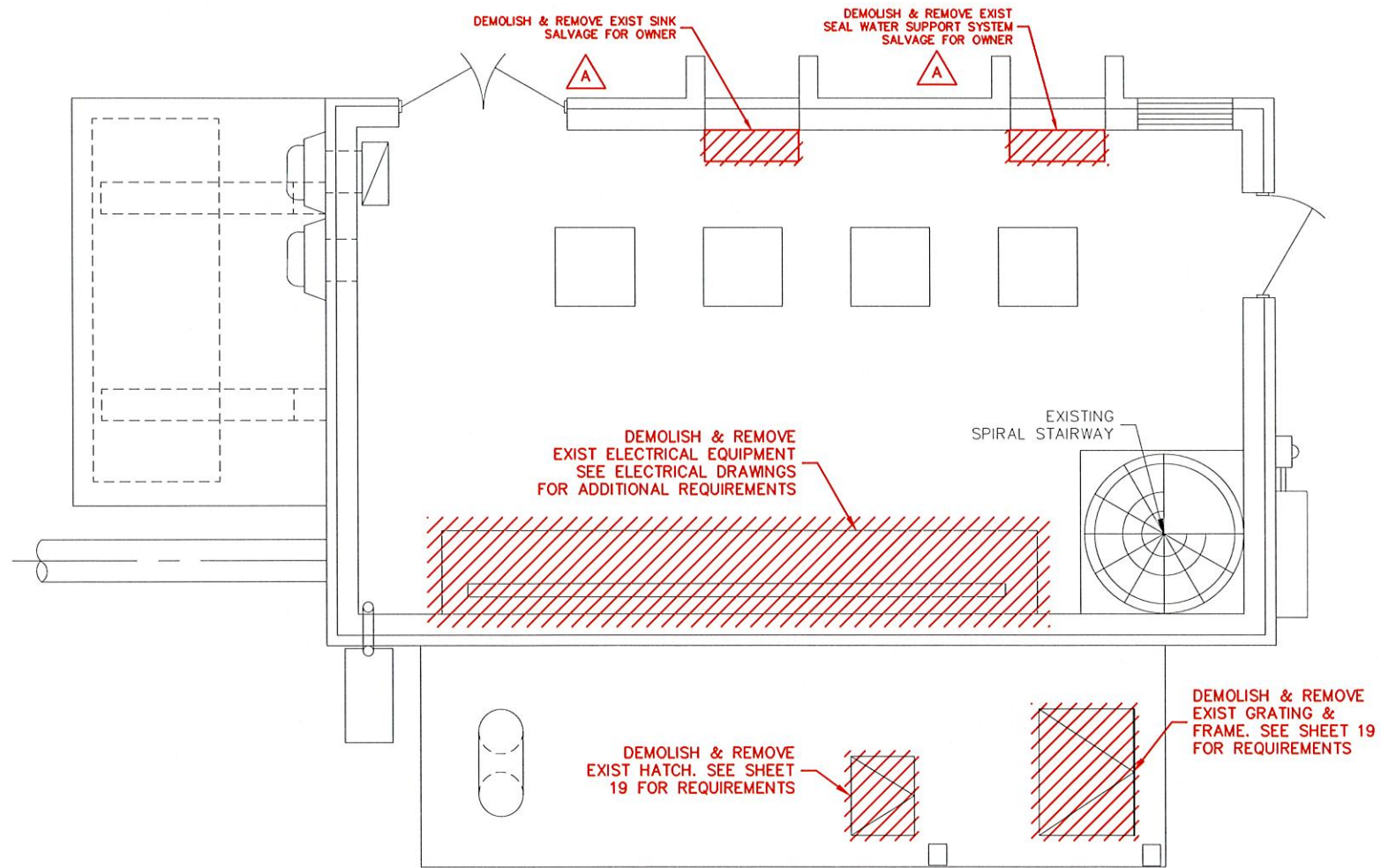
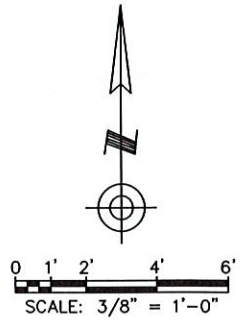
HOLLOWAY, UPDIKE AND BELLEN, INC.



Stephen Tolar, P.E., S.E.
President



END OF ADDENDUM NO. 1



1
11 LIFT STATION DEMOLITION PLAN
SCALE: 3/8" = 1'-0"



REVISION	BY	DATE
A- ADDENDUM NO.1	LST	4/16/26

BAR IS ONE INCH ON ORIGINAL DRAWING 0 1" IF NOT ONE INCH ON THIS SHEET, ADJUST SCALES ACCORDINGLY

LIFT STATION DEMOLITION PLAN

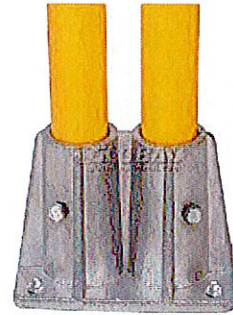
CITYWIDE LIFT STATION IMPROVEMENTS
CHEROKEE PARK LIFT STATION

CITY OF TULSA, OKLAHOMA
TULSA METROPOLITAN UTILITY AUTHORITY
WATER AND SEWER DEPARTMENT

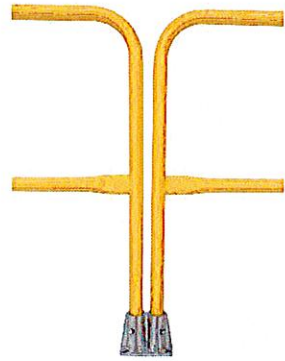
PLANS AND ESTIMATES PREPARED BY: HOLLOWAY, UPDIKE + BELLEN, Inc.
200 N WILLOW AVE, GREENWOOD, OKLAHOMA 74242
(800) 877-7274, FAX (580) 276-1274

PLAN SCALE: 3/8"=1'-0"	DRAWN DESIGNED SURVEY	CMW LST	APPROVED:
PROFILE SCALE:	PROJ. MGR.		 DESIGN ENGINEERING MANAGER
HORIZONTAL:	LEAD ENGR. FIELD MGR.	LST	
VERTICAL:			
FILE:	DRAWING:	DATE: 2026	
ATLAS PAGE NO: 720			SHEET 11 OF 21 SHEETS





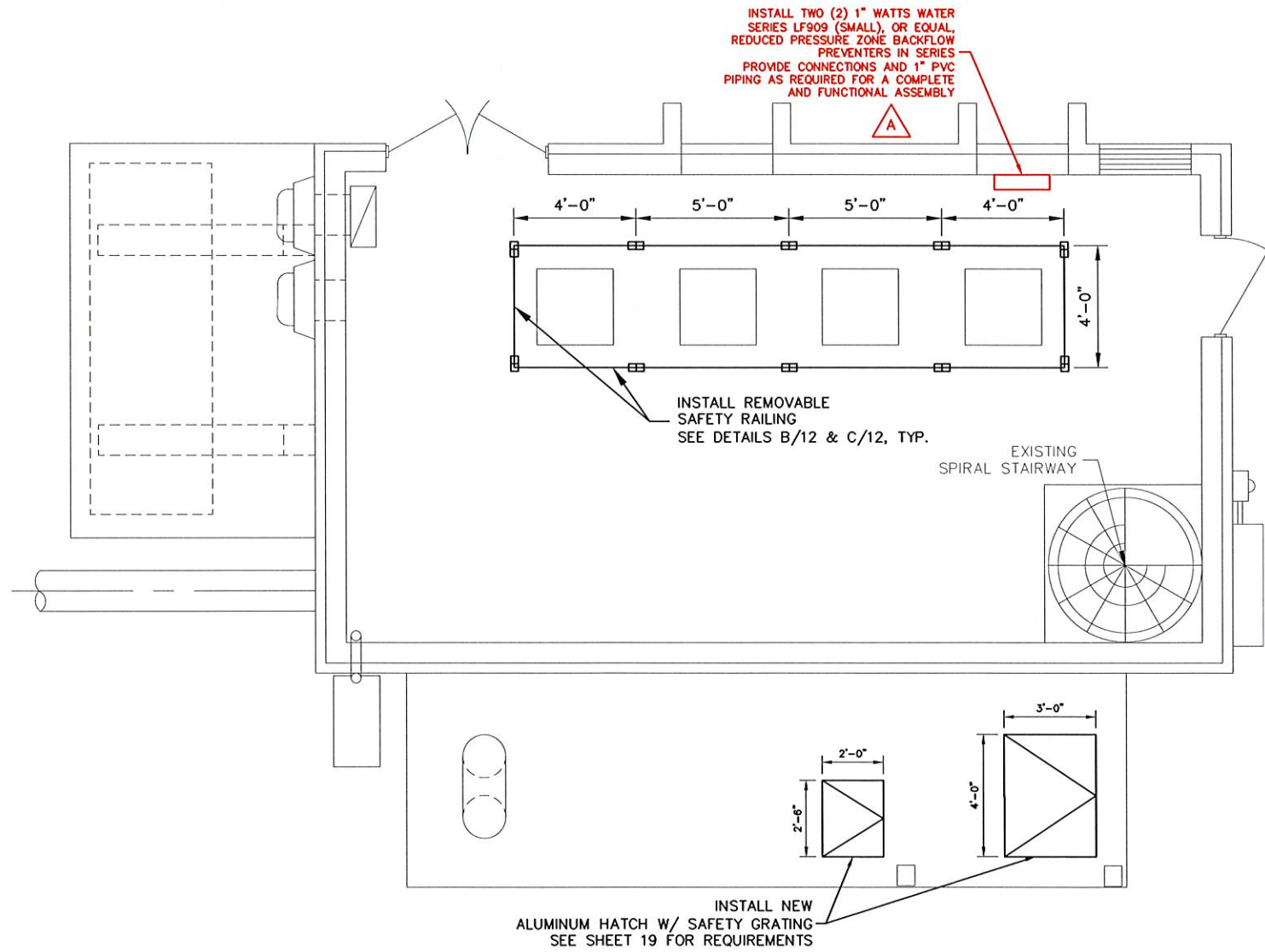
A DOUBLE SOCKET BASE
12 NTS



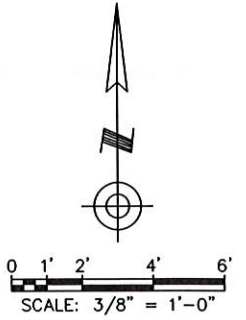
B STRAIGHT CONNECTION
12 NTS



C CORNER CONNECTION
12 NTS



1 LIFT STATION FLOOR PLAN
12 SCALE: 3/8" = 1'-0"



NOTES:

1. SAFETY RAILING SHALL BE PRE-MANUFACTURED, SAFETY YELLOW, 1-5/8" SCHEDULE 40 PIPE BARRIERS AS MANUFACTURED BY GLOBAL INDUSTRIES, ULINE, OR APPROVED EQUAL.
2. DOUBLE SOCKET MOUNTING BASES SHALL BE OF STEEL CONSTRUCTION WITH FOUR BASE MOUNTING LOCATIONS AND SET SCREWS TO SECURE RAILING. PROVIDE AND INSTALL 316 SS 1/2"x3" SLEEVE ANCHORS TO AFFIX TO EXISTING CONCRETE SLAB. BASES SHALL BE MANUFACTURED BY GLOBAL INDUSTRIES, ULINE, OR APPROVED EQUAL.
3. CONTRACTOR TO VERIFY DIMENSIONS PRIOR TO PREPARING SUBMITTALS.



REVISION	BY	DATE
▲- ADDENDUM NO.1	LST	4/16/26

BAR IS ONE INCH ON ORIGINAL DRAWING 0 1" IF NOT ONE INCH ON THIS SHEET, ADJUST SCALES ACCORDINGLY

LIFT STATION FLOOR PLAN

CITYWIDE LIFT STATION IMPROVEMENTS
CHEROKEE PARK LIFT STATION

CITY OF TULSA, OKLAHOMA
TULSA METROPOLITAN UTILITY AUTHORITY
WATER AND SEWER DEPARTMENT

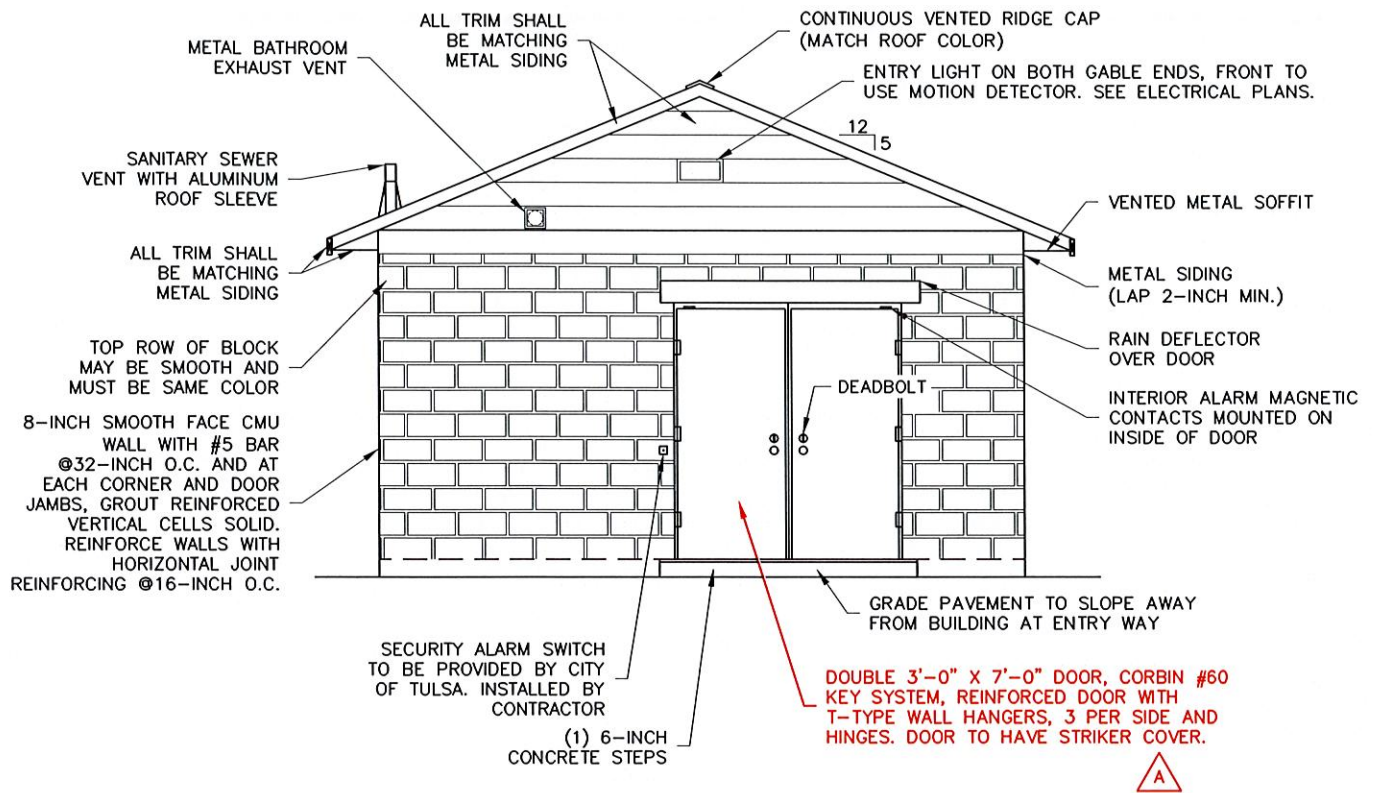
PLANS AND ESTIMATES PREPARED BY: HOLLOWAY, UPDIKE + BELLEN, Inc.
2001 N WILLOW AVE, BROKEN ARROW, OKLAHOMA 74002
918-252-1111, FAX 918-252-0754

PLAN SCALE:	DRAWN	CMW	APPROVED:
AS SHOWN:	DESIGNED	LST	
PROFILE SCALE:	SURVEY		
HORIZONTAL:	PROJ. MGR.		
	LEAD ENGR.	LST	DESIGN ENGINEERING MANAGER
	FIELD MGR.		
VERTICAL:			

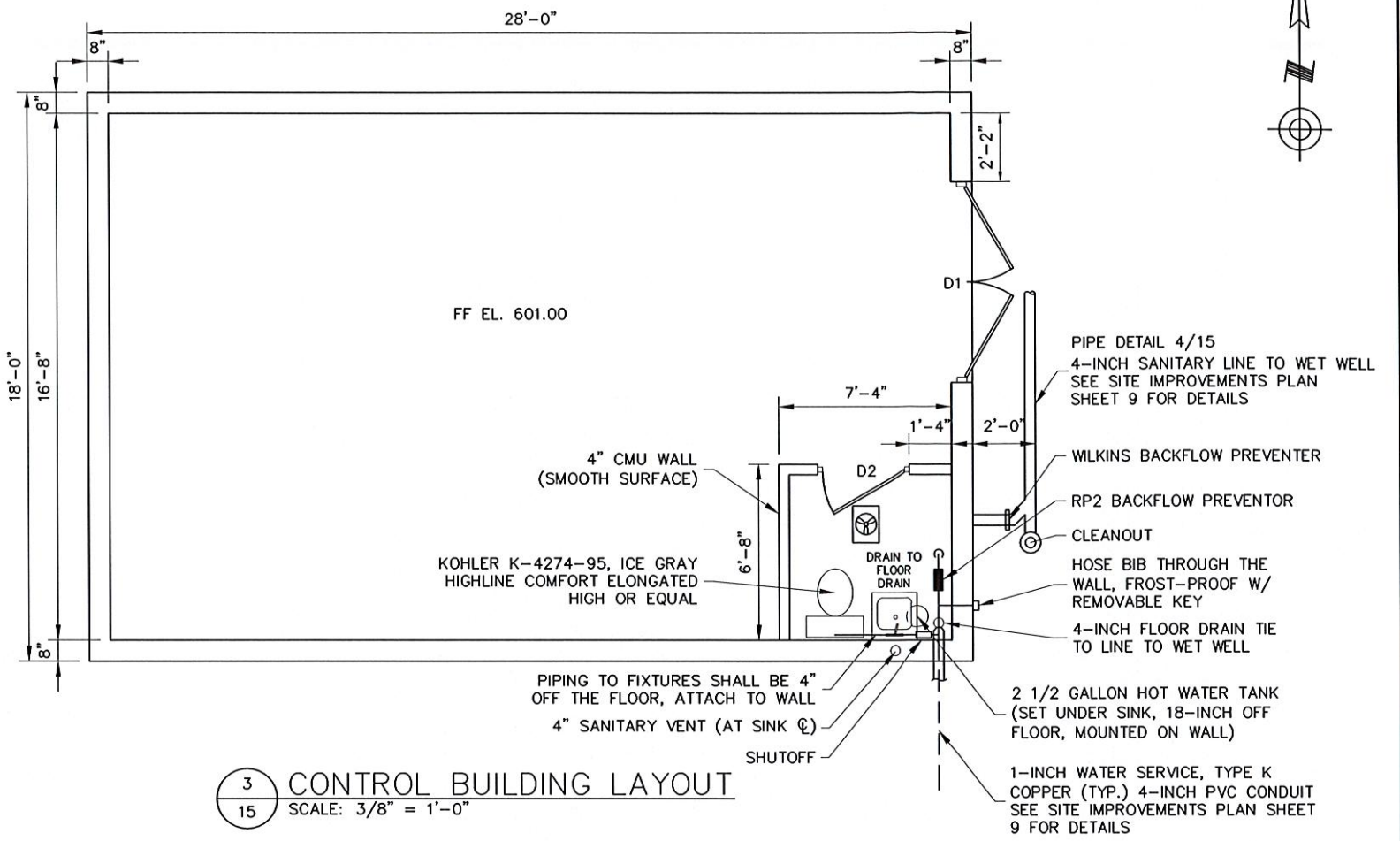
FILE: DRAWING: DATE: 2026

ATLAS PAGE NO: 720 SHEET 12 OF 21 SHEETS

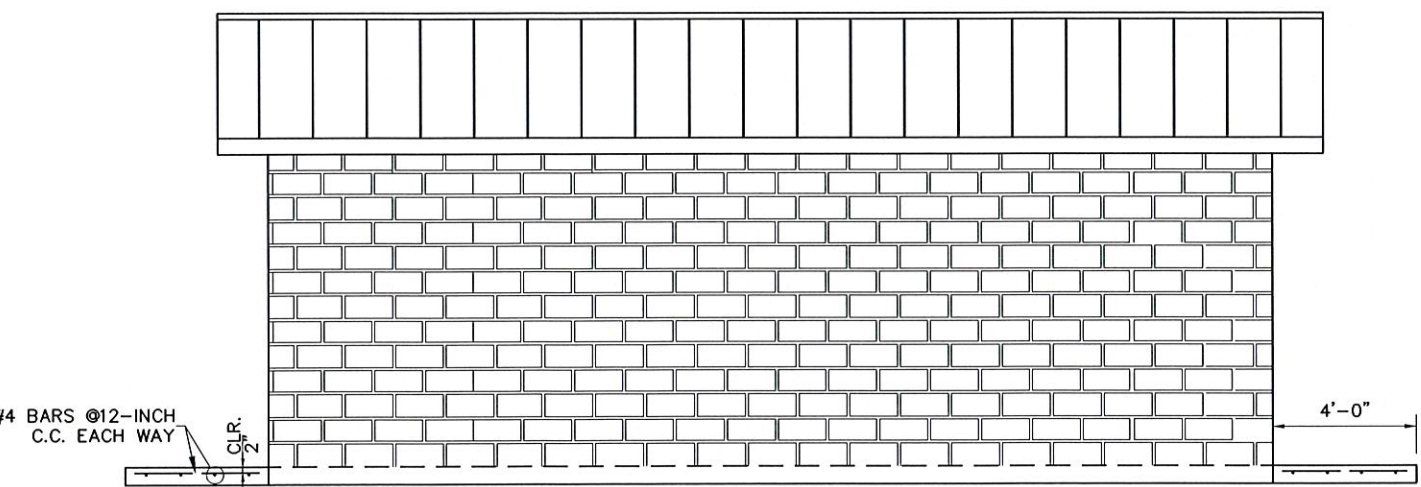




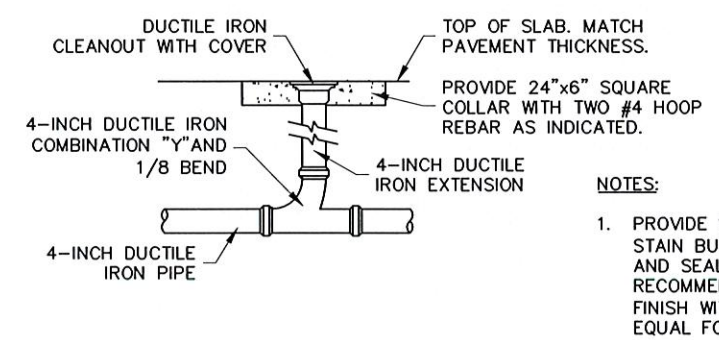
1 WEST ELEVATION
SCALE: 3/8" = 1'-0"



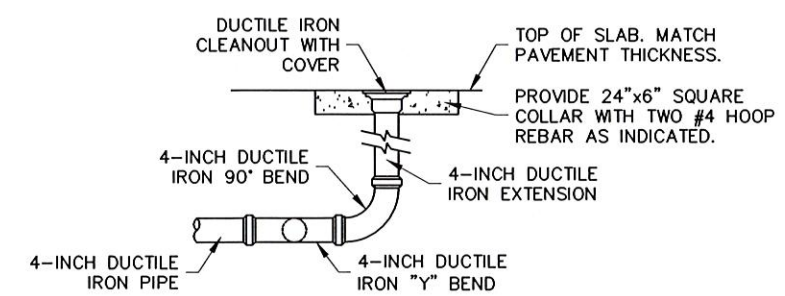
3 CONTROL BUILDING LAYOUT
SCALE: 3/8" = 1'-0"



2 SOUTH ELEVATION FOR EQUIPMENT
SCALE: 3/8" = 1'-0"



4 OUTSIDE CLEANOUT (IN LINE)
SCALE: 3/4" = 1'-0"



5 OUTSIDE CLEANOUT
SCALE: 3/4" = 1'-0"



REVISION	BY	DATE
ADDENDUM NO.1	LST	4/16/26

BAR IS ONE INCH ON ORIGINAL DRAWING 0 IF NOT ONE INCH ON THIS SHEET, ADJUST SCALES ACCORDINGLY

CONTROL BUILDING

CITYWIDE LIFT STATION IMPROVEMENTS
CHEROKEE PARK LIFT STATION

CITY OF TULSA, OKLAHOMA
TULSA METROPOLITAN UTILITY AUTHORITY
WATER AND SEWER DEPARTMENT

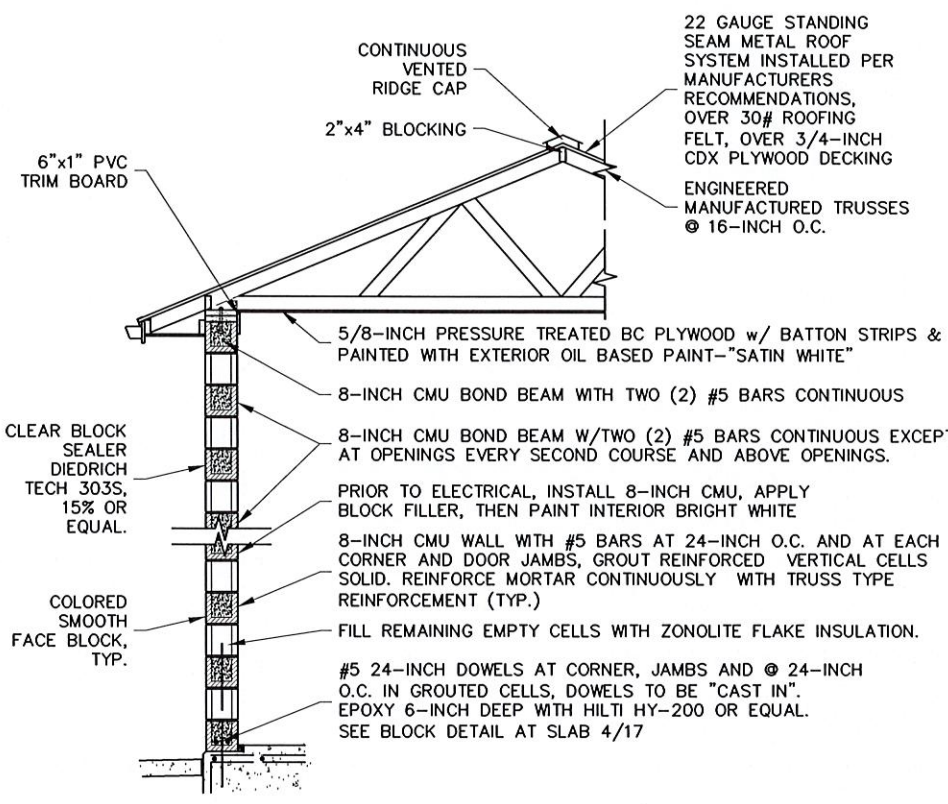
PLANS AND ESTIMATES PREPARED BY: HOLLOWAY, UPDIKE + BELLEN, Inc.
2000 W WILLOW AVE, BROOKER AVENUE, OKLAHOMA 74102
918-259-1171, FAX 918-259-1174

PLAN SCALE:	DRAWN	CMW	APPROVED:
AS SHOWN	DESIGNED	LST	
PROFILE SCALE:	SURVEY		
HORIZONTAL:	PROJ. MGR.		
NONE	LEAD ENGR.	LST	DESIGN ENGINEERING MANAGER
VERTICAL:	FIELD MGR.		DATE: 4-16-2026
NONE			
FILE:	DRAWING:		
ATLAS PAGE NO: 720			SHEET 15 OF 21 SHEETS

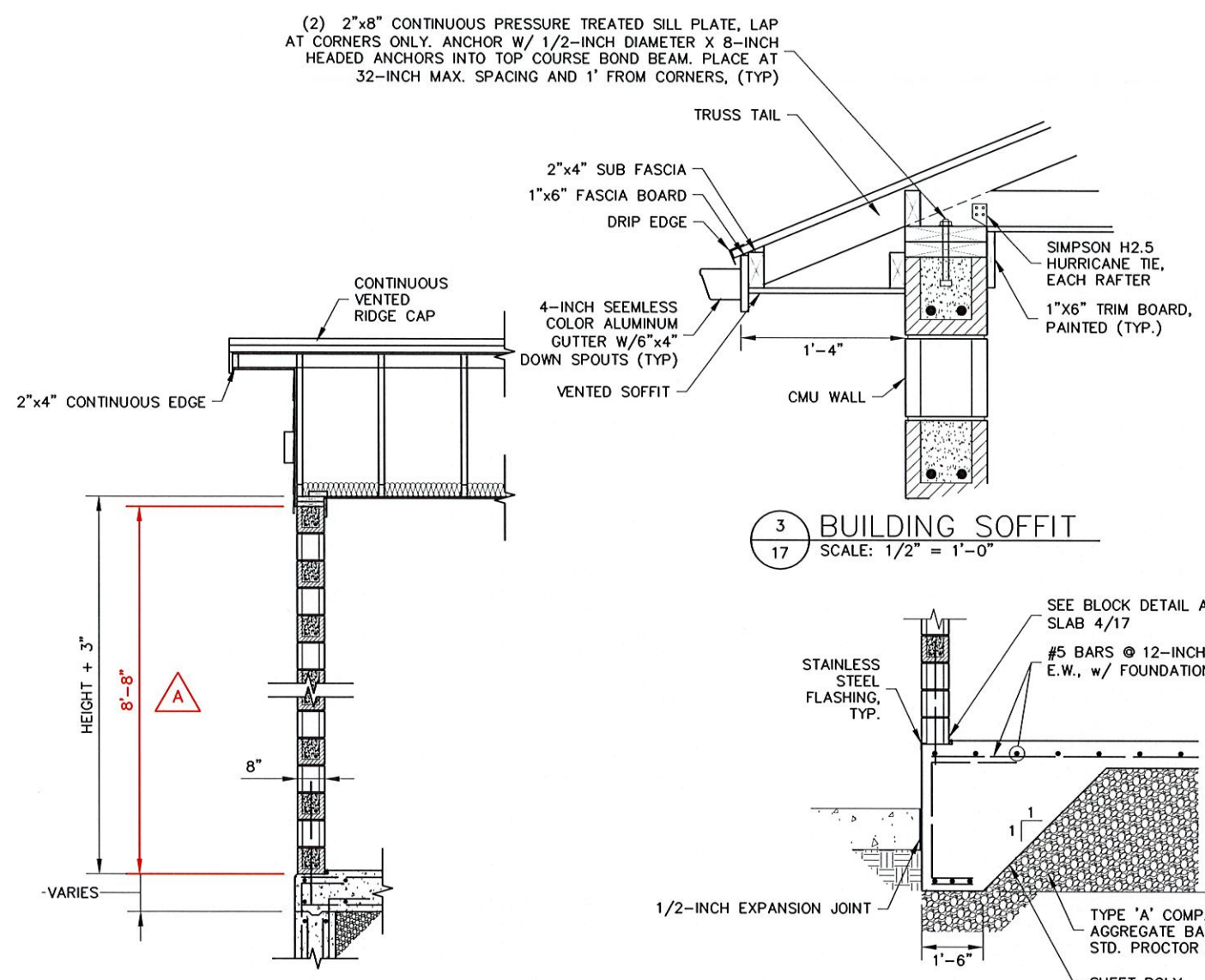


Z:\Projects\2024\24TULACHEROK\DESIGN\PRODUCTION PLANS\Control Bldg.dwg, 4/17/2026 1:53:01 PM

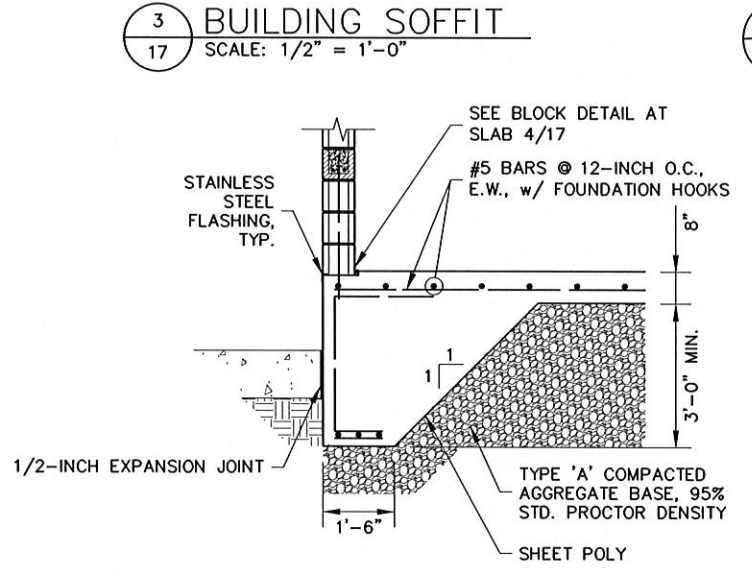
Z:\Projects\2024\24TMIUACHEROK\DESIGN\PRODUCTION PLANS\LS Building Details.dwg, 4/17/2026 1:59:23 PM



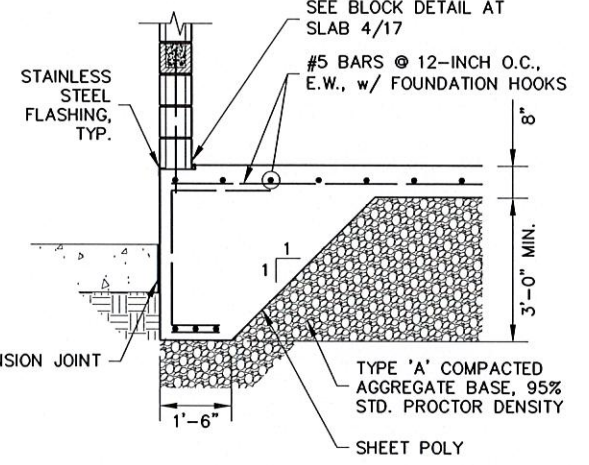
1 CONTROL BUILDING WALL SECTION
SCALE: 1/2" = 1'-0"



2 CONTROL BUILDING WALL SECTION
SCALE: 1/2" = 1'-0"

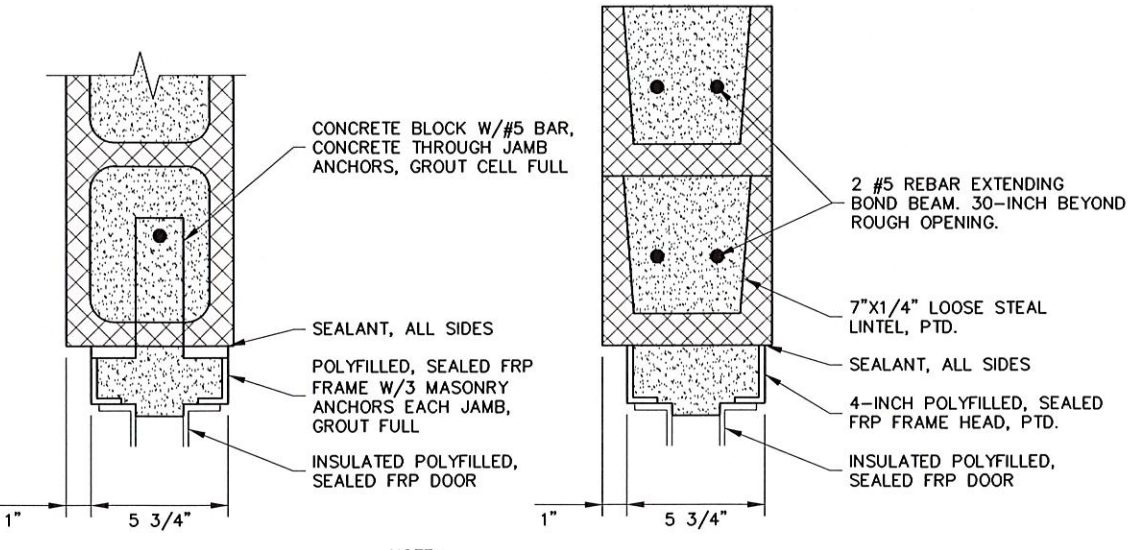


3 BUILDING SOFFIT
SCALE: 1/2" = 1'-0"

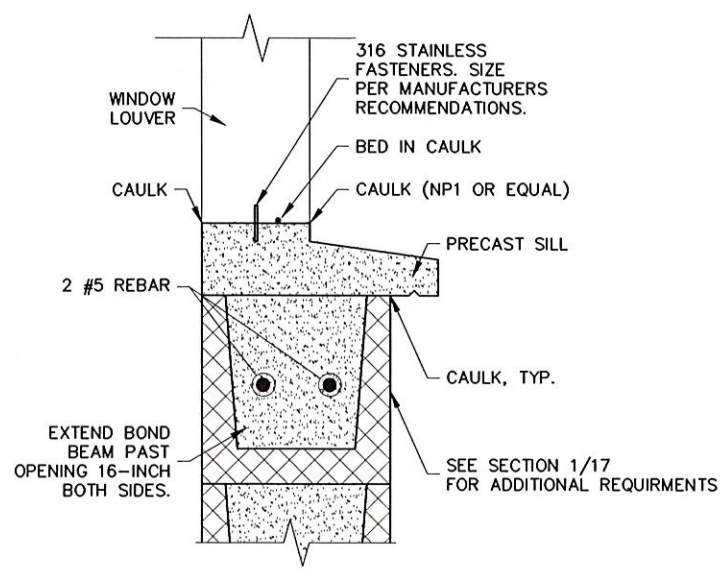


4 BLOCK DETAIL AT SLAB
SCALE: 1/2" = 1'-0"

5 CONTROL BUILDING WALL SECTION
SCALE: 1/2" = 1'-0"



6 HEAD/JAMB DETAIL
SCALE: 3" = 1'-0"



7 BLOCK WALL SILL DETAIL
SCALE: 3" = 1'-0"

NOTES:
1. IN LIEU OF WOOD CONSTRUCTION, CONTRACTOR MAY PROVIDE A PRE-ENGINEERED METAL TRUSS ROOFING AND FRAMING SYSTEM. TRUSS COMPONENTS INCLUDING TRUSS MEMBERS, BOLTS, ANCHOR BOLTS, AND FASTENERS SHALL BE HOT DIPPED GALVANIZED. CONTRACTOR SHALL PROVIDE DESIGN CALCULATIONS SIGNED AND SEALED BY A PROFESSIONAL ENGINEER REGISTERED IN THE STATE OF OKLAHOMA. DESIGN SHALL CONFORM TO THE 2015 INTERNATIONAL BUILDING CODE. DESIGN CALCULATIONS SHALL INCLUDE DESIGN THE ANCHOR BOLT SYSTEM TO THE TOP OF THE BLOCK WALL BOND BEAM AS PART OF THEIR DESIGN SERVICES.

A 2. NOTE DELETED.



REVISION	BY	DATE
A- ADDENDUM NO.1	LST	4/16/26
CONTROL BUILDING DETAILS		
CITYWIDE LIFT STATION IMPROVEMENTS CHEROKEE PARK LIFT STATION		
CITY OF TULSA, OKLAHOMA TULSA METROPOLITAN UTILITY AUTHORITY WATER AND SEWER DEPARTMENT		
PLANS AND ESTIMATES PREPARED BY: HOLLOWAY, UPDKE + BELLEN, Inc. 200 N WILLOW AVE, BROKEN ARROW, OKLAHOMA 74002 (800) 875-8111, FAX (800) 875-8111		
PLAN SCALE: AS SHOWN	DRAWN DESIGNED SURVEY	CMW LST
PROFILE SCALE:	PROJ. MGR.	
HORIZONTAL:	LEAD ENGR.	LST
VERTICAL:	FIELD MGR.	
FILE:	DRAWING:	DATE: 2026
ATLAS PAGE NO: 720		SHEET 17 OF 21 SHEETS



APPROVED:
LST
DESIGN ENGINEERING MANAGER