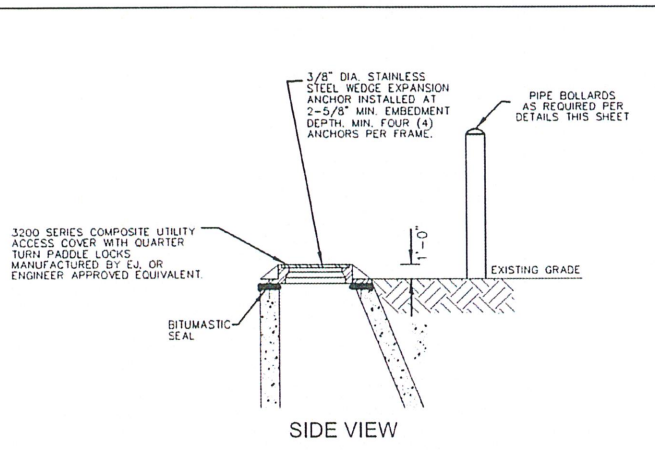
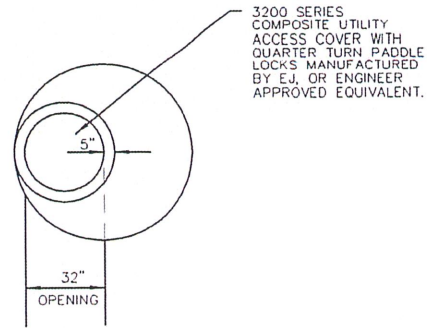


PATH: RW001_E:\PARTS\STD\CON_STDS\565-ELEVATED-MH-FLOODPLAIN.CON L.W. 28/07/2023

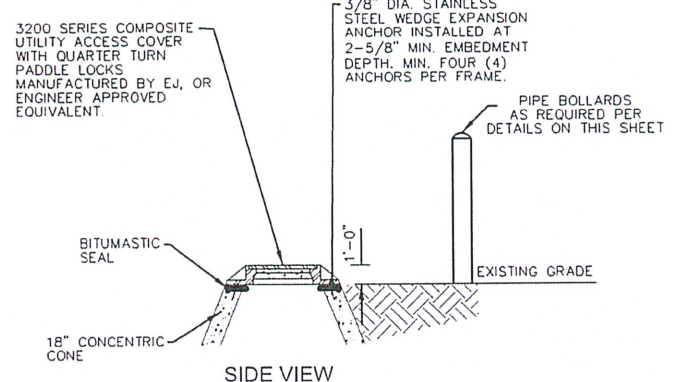


SIDE VIEW

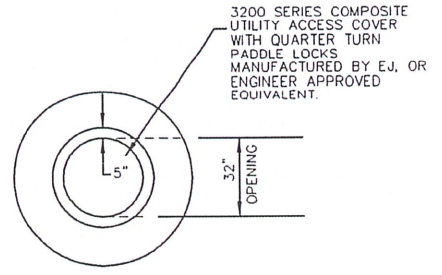


TOP VIEW

ELEVATED DETAIL FOR ECCENTRIC MANHOLES
N.T.S.

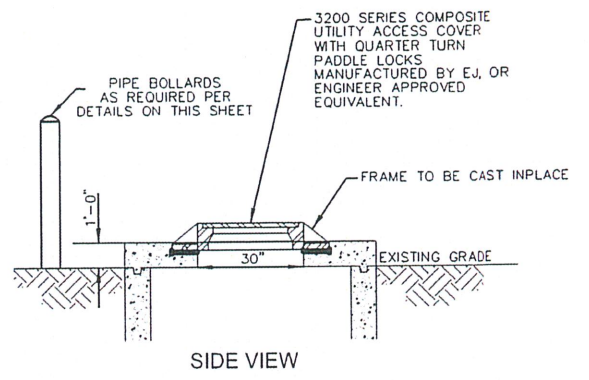


SIDE VIEW

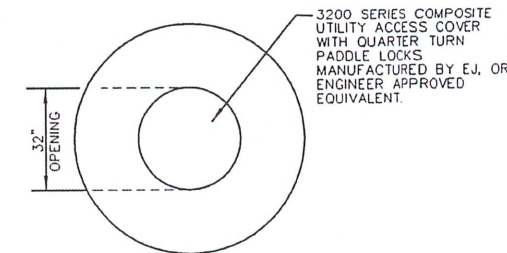


TOP VIEW

ELEVATED DETAIL FOR CONCENTRIC MANHOLES
N.T.S.



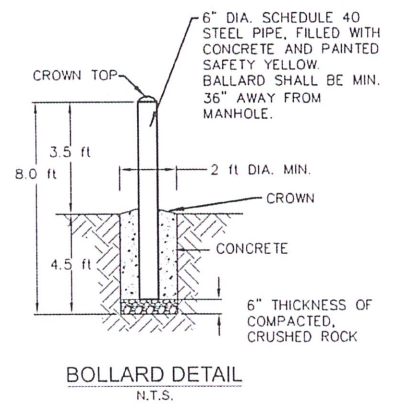
SIDE VIEW



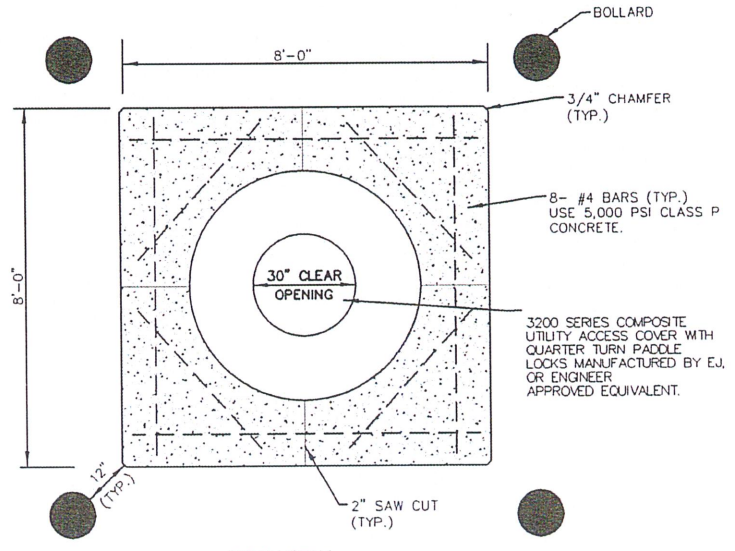
TOP VIEW

ELEVATED DETAIL FOR FLAT TOP MANHOLES
N.T.S.

- NOTES:
1. ALL MANHOLE COVERS SHOWN ON THIS SHEET SHALL BE FURNISHED WITH WATER RESISTANT GASKETS.
 2. ALL OTHER COMPONENTS OF PRECAST CONCRETE MANHOLES SHALL BE PER CITY OF TULSA STANDARD DETAIL NO. 331, 356, 357, AND 358 AS APPLICATED.





BOLLARD DETAIL
N.T.S.



TOP VIEW

MANHOLES IN UNPAVED FLOODPLAIN AREAS
N.T.S.

REVISION	BY	DATE


 CITY ENGINEER

 DESIGN MANAGER

CITY OF TULSA, OKLAHOMA
 PUBLIC WORKS DEPARTMENT
 STANDARD ELEVATED MANHOLE
 DETAILS FOR FLOODPLAIN
 CONSTRUCTION
 DATE: AUGUST 2023
 STD. 368