

# CONTRACT DOCUMENTS - DRAWINGS

FOR

## HAIKEY CREEK OPERATION & MAINTENANCE CAPITAL EQUIPMENT REPLACEMENTS RMUA PROJECT NO. WPC 25-2 BAMA PROJECT NO. 2354170

ATTENDANCE AT PRE-BID CONFERENCE IS MANDATORY

PREPARED BY:

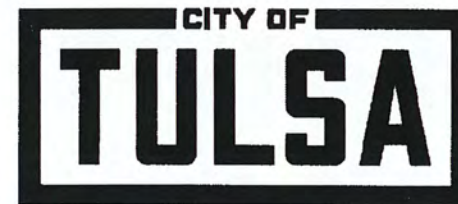


HOLLOWAY, UPDIKE AND BELLEN, INC.  
2001 N WILLOW AVENUE  
BROKEN ARROW, OK 74012  
918-251-0717 OFFICE  
918-251-0754 FAX  
C.A. No. 219  
EXPIRES 6-30-25



Date

Date



BROKEN ARROW  
Where opportunity lives

Account Number: 2531S0008R.Capital.Sewer.951.9518900-541101

Eric Lee  
Director, Water & Sewer Department

Date

1-31-2025

Stephen Tolar, P.E., S.E. No. OK 20679

Cindy Cantero

Water Pollution Control Manager

Timothy S. Robins, P.E., CWI, CFM  
Utilities Director

Date

1/21/25

Note: The Drawings attached hereto as part of these Specifications are for information purposes only. The Authority makes no representation or guarantee with respect to the accuracy of any information contained in the Drawings. It is the Contractors responsibility to verify information on the drawings to ensure the equipment installed or controlled by work performed under this Contract performs as specified herein.

Water and Sewer Department  
175 E. 2<sup>nd</sup> Street, Suite 1300  
Tulsa, Oklahoma 74103  
(918) 596-9845



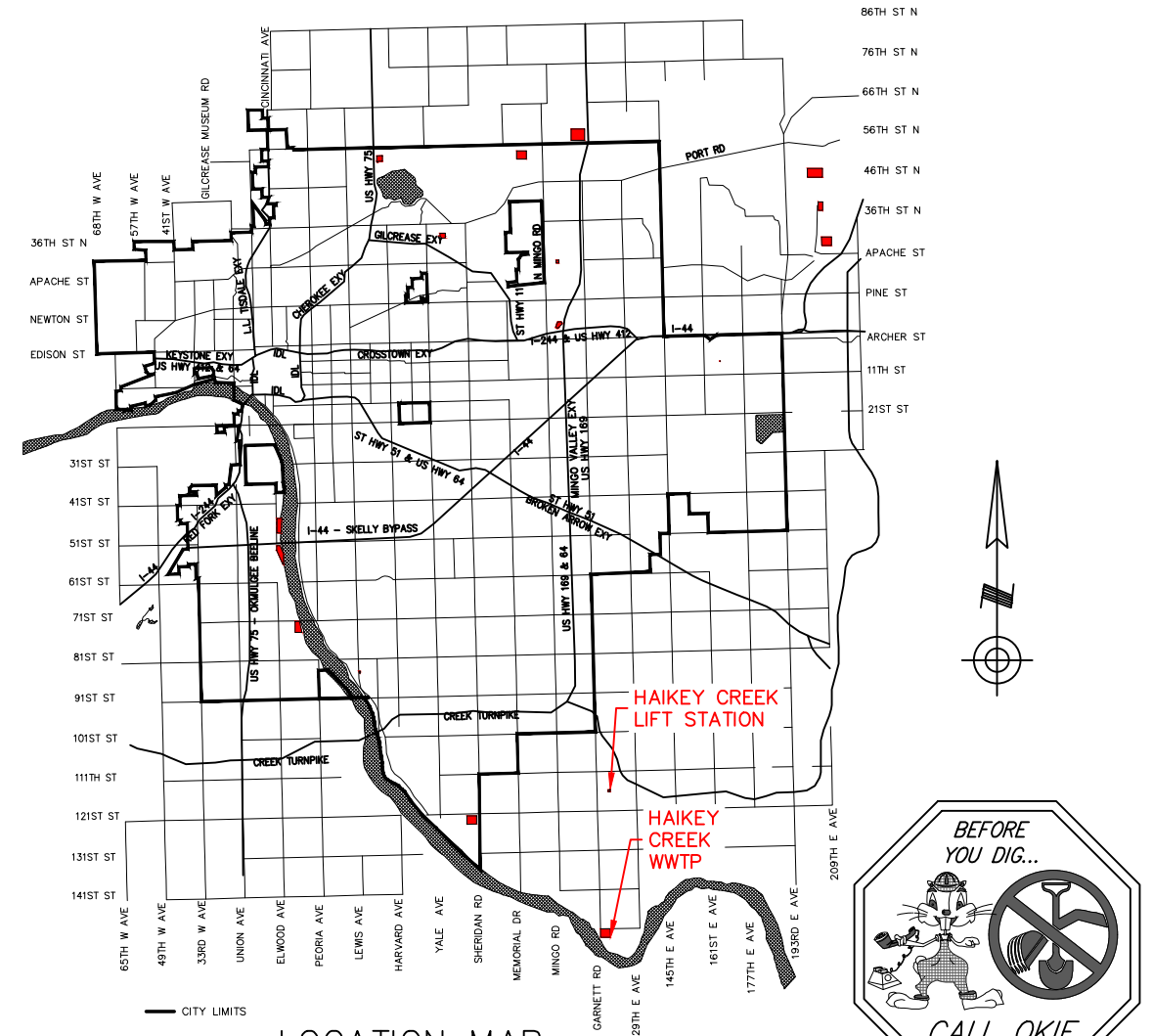
INDEX OF SHEETS					
PLAN SHEET NO.	DRAWING NO.	LOCATION	DESCRIPTION	EQUIPMENT NO.	LOCATION
1			COVER		
2			INDEX OF SHEETS, GENERAL NOTES, & LOCATION MAP		
3			HCWWTP - LOCATION PLAN		
4	203.100.A		GRIT COLLECTOR #1 & #2 DEFLECTOR DEMOLITION DETAILS (ADDITIVE ALTERNATE #1)	H020-GRT1-CTK01 & 02	HCWWTP
5	203.100.B		GRIT COLLECTOR #1 & #2 DEFLECTOR IMPROVEMENTS (ADDITIVE ALTERNATE #1)	H020-GRT1-CTK01 & 02	HCWWTP
6	203.100.C		GRIT COLLECTOR #1 & #2 DEFLECTOR PHOTOS (ADDITIVE ALTERNATE #1)	H020-GRT1-CTK01 & 02	HCWWTP
7	203.100.D		GRIT COLLECTOR #1 & #2 DEFLECTOR DETAILS (ADDITIVE ALTERNATE #1)	H020-GRT1-CTK01 & 02	HCWWTP
8	203.100.E		GRIT COLLECTOR #1 & #2 DEFLECTOR DETAILS (ADDITIVE ALTERNATE #1)	H020-GRT1-CTK01 & 02	HCWWTP
9	203.200.A		OPERATIONS LABORATORY & OPERATIONS ROOM REMODEL PLAN	H001-OPS1-BLDG1	HCWWTP
10	203.200.B		OPERATIONS LABORATORY & OPERATIONS ROOM REMODEL SECTIONS & DETAILS	H001-OPS1-BLDG1	HCWWTP
11	203.200.C		OPERATIONS LABORATORY & OPERATIONS ROOM REMODEL SECTIONS & DETAILS	H001-OPS1-BLDG1	HCWWTP
12	203.200.D		OPERATIONS LABORATORY & OPERATIONS ROOM REMODEL PHOTOS	H001-OPS1-BLDG1	HCWWTP
13	203.200.E		OPERATIONS LABORATORY & OPERATIONS ROOM CEILING PANEL REPLACEMENT & WALL PAINTING	H001-OPS1-BLDG1	HCWWTP
14	203.300		MAINTENANCE BUILDING ACCESS & SAFETY IMPROVEMENTS	H002-MNT1-LDR01	HCWWTP
15	203.400.A		GRIT FACILITY BUILDING SUMP PUMP REPLACEMENT	H020-GRT1-SUP01 & 02	HCWWTP
16	203.400.B		GRIT FACILITY BUILDING SUMP PUMP SCHEMATIC	H020-GRT1-SUP01 & 02	HCWWTP
17	203.500.A		HAIKEY CREEK LIFT STATION BAR SCREEN CONVEYOR TROUGH LINER REPLACEMENT	H109-BRS1-CNV01	HCLS
18	203.500.B		HAIKEY CREEK LIFT STATION BAR SCREEN CONVEYOR TROUGH LINER REPLACEMENT PHOTOS	H109-BRS1-CNV01	HCLS
19			MISCELLANEOUS DETAILS		
E01			ELECTRICAL LEGEND		
E02	203.800		ELECTRICAL OPERATIONS BUILDING LIGHTING (ADDITIVE ALTERNATE #2)	H001-OPS1-BLDG1	HCWWTP
E03	203.200.A.1		OPERATIONS LABORATORY & OPERATIONS ROOM REMODEL ELECTRICAL & MECHANICAL PLAN	H001-OPS1-BLDG1	HCWWTP

**GENERAL NOTES:**

- CONTRACTOR SHALL HAVE ONE (1) EXECUTED COPY OF THE CONTRACT DOCUMENTS, SPECIFICATIONS AND DRAWINGS AT THE JOB SITE WHEN WORK IS IN PROGRESS.
- CONTRACTOR SHALL MAINTAIN A CLEAN CONSTRUCTION SITE AT ALL TIMES. TRASH, SPENT PALLETS, CONTAINER REMNANTS, BINDINGS, ETC. SHALL BE PICKED UP WHEN NO LONGER IN USE AND DEPOSITED IN TRASH CONTAINERS.
- ALL PIPE SUPPORTS, STANDS, BRACKETS, BOLTS, ANCHOR BOLTS, SCREWS, FASTENERS, PANEL STANDS & APPURTENANCES UNLESS OTHERWISE NOTED SHALL BE 316 STAINLESS STEEL MINIMUM SUITABLE FOR SANITARY APPLICATIONS.
- ALL DIMENSIONS SHOWN WITH ± SHALL BE CONFIRMED BY THE CONTRACTOR ACCORDING TO ACTUAL FIELD CONDITIONS OR EQUIPMENT REQUIREMENTS.
- DISSIMILAR METALS SHALL BE SEPARATED BY GASKET OR COATING TO PREVENT GALVANIC CORROSION. ALL ALUMINUM IN CONTACT W/CONCRETE SHALL BE COATED.
- ANY EXISTING ITEMS, EQUIPMENT, STRUCTURES OR SURFACES DISTURBED OR DAMAGED BY CONTRACTOR SHALL BE REPAIRED OR REPLACED TO ORIGINAL CONDITION OR BETTER AT NO ADDITIONAL COST TO THE OWNER.
- CONTRACTOR SHALL CONFIRM ALL DIMENSIONS WITH EQUIPMENT SUPPLIERS PRIOR TO CONSTRUCTION AND NOTIFY ENGINEER OF DISCREPANCIES.
- THE IMPROVEMENTS SET FORTH IN THE PLANS SHALL NOT PROHIBIT ON-SITE TRAFFIC AND/OR RELATED TASKS REQUIRED IN THE TREATMENT AND DISCHARGE OF WASTEWATER.
- ALL WORKMANSHIP SHALL BE NEAT, PLUMB, SQUARE AND CONSTRUCTED IN A PROFESSIONAL MANNER.
- HCWWTP CONTACT INFORMATION:  
ANDREW LANKFORD  
HCWWTP SUPERINTENDENT  
(918) 596-7154  
CINDY CANTERO  
WATER POLLUTION CONTROL MANAGER  
(918) 596-9870
- ALL PROJECT POT HOLING OF TIE-IN LOCATIONS SHALL BE PERFORMED WITHIN 30 CONTRACT DAYS OF CONTRACTOR MOBILIZATION. SUBMIT FIELD VERIFIED LOCATIONS AND DEPTHS TO THE ENGINEER.
- CONTRACTOR SHALL PROTECT ALL PIPING, ELECTRICAL AND PLANT SERVICES NOT SHOWN TO BE DEMOLISHED DURING CONSTRUCTION ACTIVITIES.
- DELIVER ALL HAIKEY CREEK WWTP EQUIPMENT TO HAIKEY CREEK WWTP ONLY. DO NOT DELIVER TO OR TEMPORARILY STORE AT OTHER LOCATIONS.
- ALL ELECTRICAL CONSTRUCTION SHALL BE IN STRICT ACCORDANCE WITH ALL N.E.C. AND CITY OF TULSA ELECTRICAL CODES. ELECTRICAL, MECHANICAL, AND PLUMBING INSPECTIONS ARE REQUIRED AT BOTH ROUGH AND FINAL STAGES OF THE PROJECT.
- WHERE RED TEXT AND LINEWORK IS USED IT CONVEYS NEW OR PROPOSED WORK. RECORD DRAWINGS USED AS BASE DRAWINGS MAY SHOW BOLD LINEWORK AND TEXT. THIS SHOULD BE VIEWED AS EXISTING.

**SPECIAL WPC PROJECT NOTES & REQUIREMENTS:**

- ALL UNISTRUT SUPPORTS, ANCHOR BOLTS, BOLTS, SCREWS, FASTENERS AND OTHER RELATED COMPONENTS WITHIN THE PLANT FACILITY SHALL BE 316 STAINLESS STEEL UNLESS SPECIFICALLY NOTED OTHERWISE. IF A DISCREPANCY IS NOTED, THE MATERIAL SELECTION SHALL DEFAULT TO 316 STAINLESS STEEL IN ALL EXTERIOR, SUBMERGED, H2S AND CLASSIFIED SPACES.
- ALL NEW DISCONNECTS, ELECTRICAL/CONTROL DISPLAY DEVICES AND SMALL PANELS SHALL BE MOUNTED ON THE CUSTOM ALUMINUM PANEL SUPPORT AS SHOWN IN THE MISCELLANEOUS DETAILS, UNLESS SPECIFICALLY NOTED OTHERWISE PER PLAN SHEET NOTES.
- ALL NEW PIPING AND MODIFIED PIPING SHALL BE PAINTED, STANDARD COLOR CODED, WITH DIRECTION ARROWS AND SIGNAGE AS PART OF THE NEW WORK.
- ALL AREAS OF DEMOLITION SHALL INCLUDE REPAIRS TO THE WALLS, CEILING, ROOF, FLOORING, AND CONCRETE. OTHER AREAS OF WORK TO INCLUDE TOUCH UP PAINTING TO MATCH AND CONCRETE REPAIRS AS SHOWN IN THE MISCELLANEOUS DETAILS. SEE SPECIFICATIONS AND SPECIFIC PLAN SHEETS FOR ADDITIONAL DETAILS.
- ALL ELECTRICAL AND CONTROLS DEMOLITION FOR BIDDING PURPOSES, UNLESS SPECIFICALLY NOTED OTHERWISE, SHALL BE REMOVED COMPLETELY BACK TO CLOSEST POINT OF TERMINATION. CONTRACTOR SHALL SUBMIT WRITTEN SKETCHES, DETAILS AND A WORK PLAN TO FURTHER DEFINE EXTENT OF EACH AREA OF DEMOLITION AND NEW WORK FOR PLANT OPERATIONS COORDINATIONS.
- SEE SPECIFICATIONS AND CITY OF TULSA STANDARDS AND DETAILS FOR ADDITIONAL REQUIREMENTS. ALL WWTP FACILITY'S ROADS, PARKING AND PAVED AREAS ARE CONSIDERED CITY OF TULSA ROADS AND CITY OF TULSA STANDARDS APPLY.
- THE CONTRACTOR SHALL SELECT MATERIALS AND INSTALL MATERIALS TO MINIMIZE CORROSION AND DISSIMILAR METALS IN ALL AREAS OF WORK. COAT ALL ALUMINUM IN CONTACT WITH CONCRETE, ISOLATION WASHERS ON BOLTS/FASTENERS AND OTHER MATERIAL SEPARATION METHODS SHALL BE USED.
- ALL COPPER PIPING SHALL BE COATED OR PAINTED PRIOR TO INSTALLATION TO ENSURE COPPER IS COVERED COMPLETELY. ALL HVAC LINES, OTHER COPPER TUBING OR COPPER SERVICE LINES SHALL BE OPTIONED FOR CORROSION RESISTANT COATINGS BY THE MANUFACTURER IF AVAILABLE. IF A FACTORY COATING OPTION IS NOT AVAILABLE, APPLY A SPRAY COATING ONSITE WITH HERESITE COATING OR EQUAL. PROTECTIVE COATINGS SHALL BE APPLIED PRIOR TO ASSEMBLY/INSTALLATION. REQUIREMENTS APPLY TO ALL HVAC MECHANICAL EQUIPMENT AND PLUMBING SYSTEMS WITHIN ALL PLANT FACILITY GROUNDS, EXTERIOR EQUIPMENT, SERVICES AND INSIDE OF BUILDINGS, MANHOLES, VAULTS, SHEDS OR OTHER AREAS, EXCEPT PERSONNEL OCCUPIED SPACES LIKE OPERATIONS BUILDING, OFFICE SPACE OR ADMINISTRATION BUILDINGS. BURIED COPPER WATERLINES ARE ALSO EXEMPT.
- ALL PVC PIPING SIZES BETWEEN 1/2" - 4" SHALL BE SCH. 80 CPVC UNLESS SPECIFICALLY NOTED OTHERWISE ON THE PLAN SHEET OR APPLICABLE SPECIFICATION SECTION.



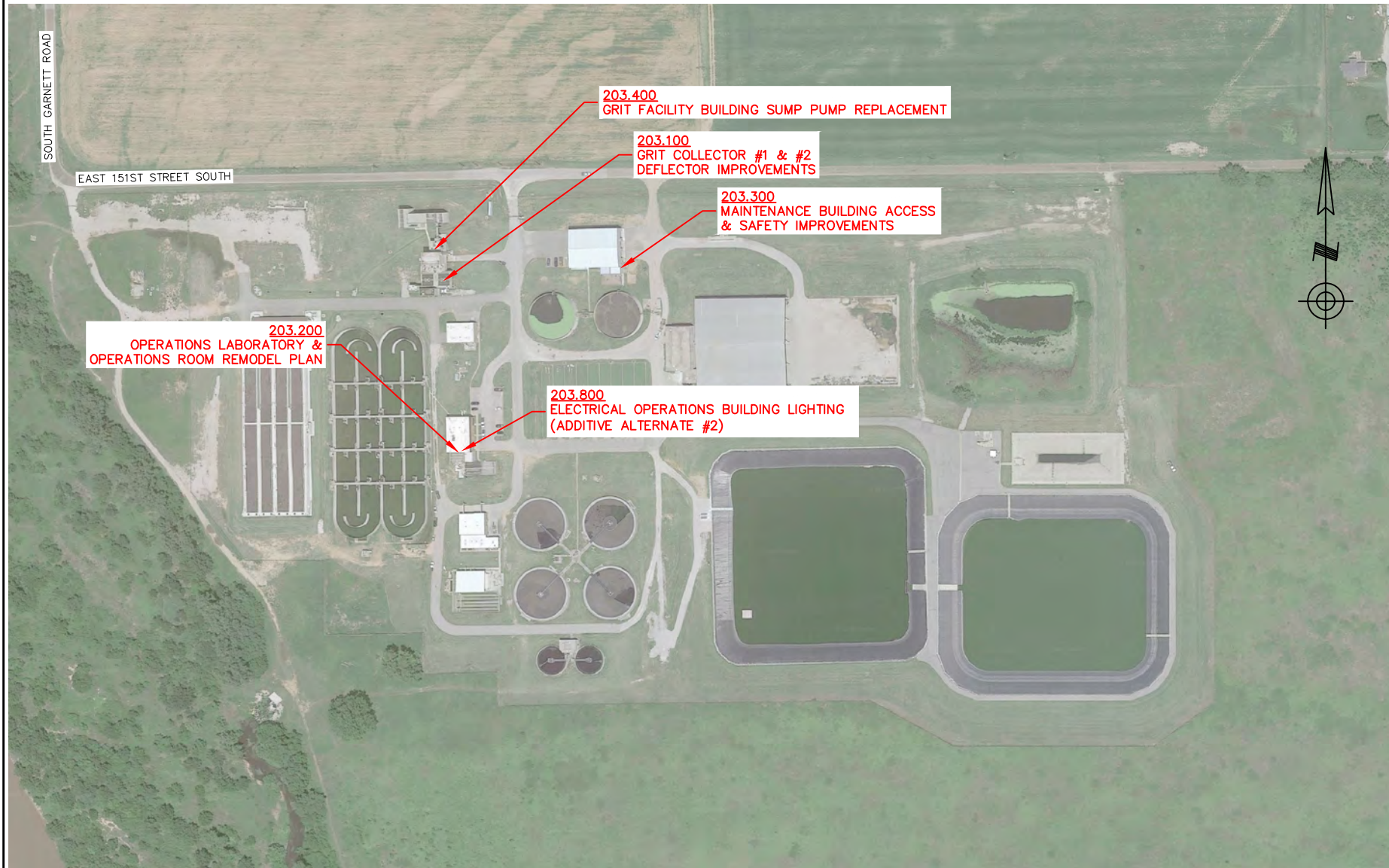
LOCATION MAP



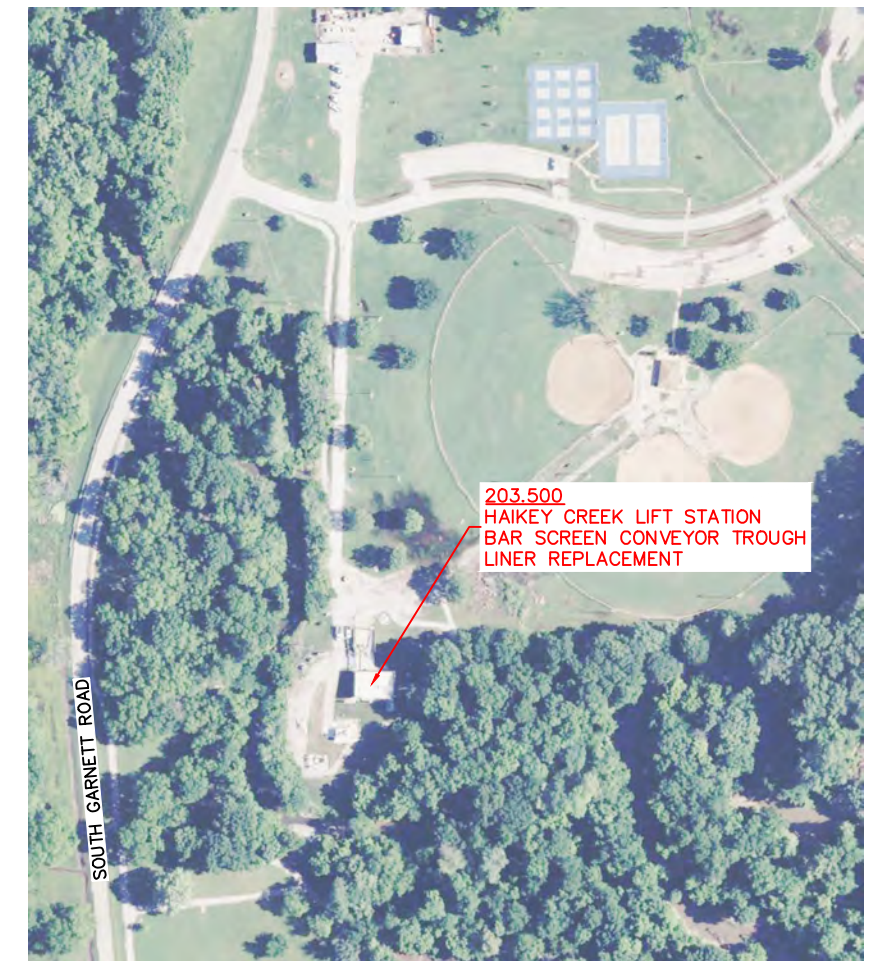
REVISION	BY	DATE
BAR IS ONE INCH ON ORIGINAL DRAWING 0 1" IF NOT ONE INCH ON THIS SHEET, ADJUST SCALES ACCORDINGLY		
<b>INDEX OF SHEETS, &amp; GENERAL NOTES &amp; LOCATION MAP</b>		
<b>WATER POLLUTION CONTROL CAPITAL EQUIPMENT REPLACEMENTS RMUA PROJECT WPC 25-2</b>		
<b>CITY OF TULSA, OKLAHOMA TULSA METROPOLITAN UTILITY AUTHORITY WATER AND SEWER DEPARTMENT</b>		
PLANS AND ESTIMATES PREPARED BY: <b>HOLLOWAY, UPDIKE + BELLEN, Inc.</b> <small>2001 N. WILLOW AVE., BROKEN ARROW, OKLAHOMA 74002 (918) 259-0707, FAX (918) 259-0764</small>		
PLAN SCALE:	DRAWN CMW DESIGNED TJR SURVEY	APPROVED:
PROFILE SCALE:	PROJ. MGR. LEAD ENGR.	
HORIZONTAL:	FIELD MGR. TJR	
VERTICAL:		
FILE:	DRAWING:	DATE: 2025
ATLAS PAGE NO: ---		SHEET 2 OF 19 SHEETS







1 HAIKEY CREEK WWTP  
11602 EAST 151ST STREET SOUTH



2 HAIKEY CREEK LIFT STATION  
11601 SOUTH GARNETT ROAD

Z:\Projects\2024\24RWUAWPC25-2\Design\Production Plans\Location Plan.dwg, 1/24/2025 10:43:37 AM

REVISION	BY	DATE


BAR IS ONE INCH ON ORIGINAL DRAWING 0 1" IF NOT ONE INCH ON THIS SHEET, ADJUST SCALES ACCORDINGLY

HCWWTP – LOCATION PLAN

WATER POLLUTION CONTROL  
CAPITAL EQUIPMENT REPLACEMENTS  
RMUA PROJECT WPC 25-2

CITY OF TULSA, OKLAHOMA  
TULSA METROPOLITAN UTILITY AUTHORITY  
WATER AND SEWER DEPARTMENT

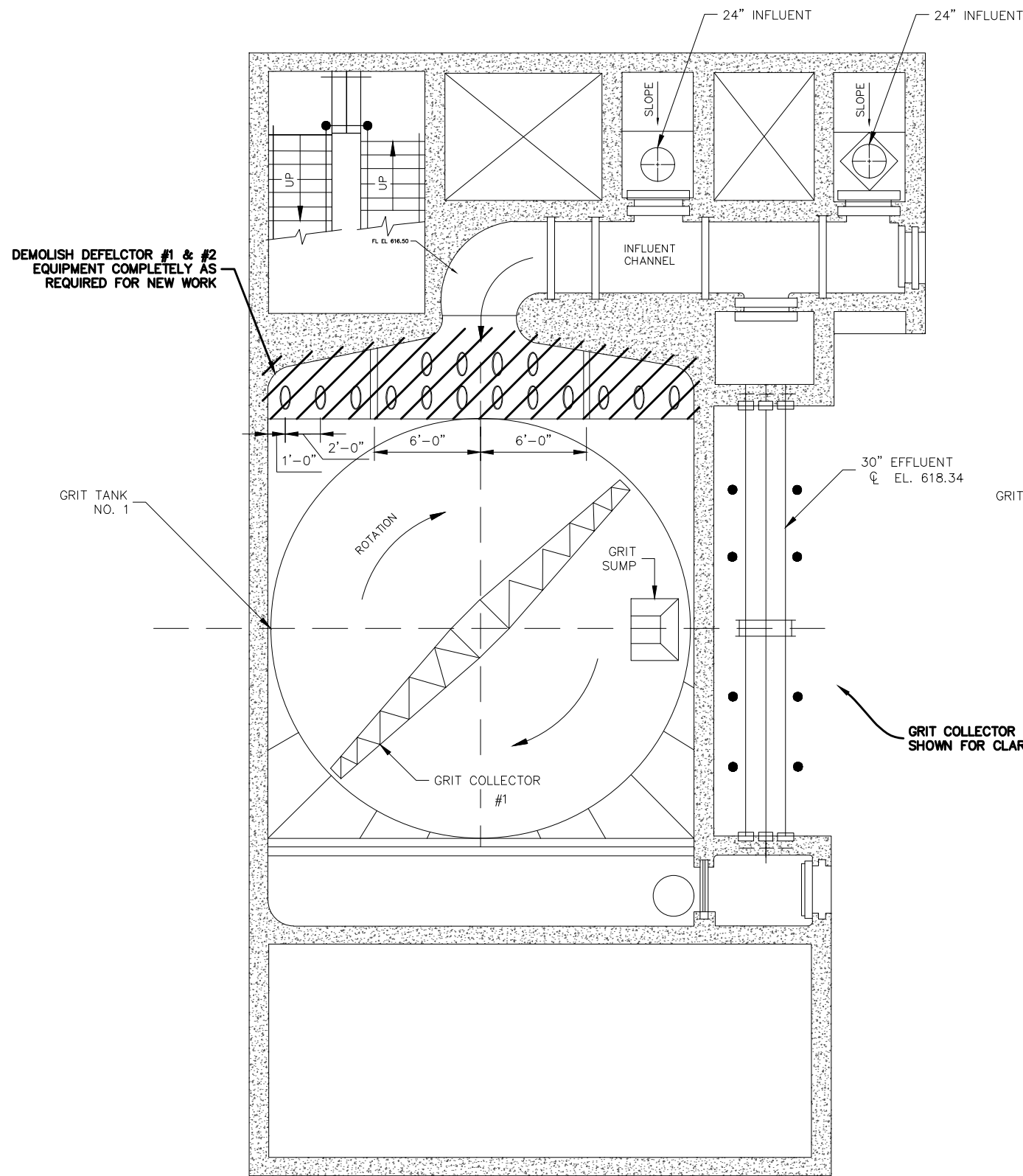


PLANS AND ESTIMATES PREPARED BY:  HOLLOWAY, UPDIKE + BELLEN, Inc.  
2001 N. WILLOW AVE., BROCKTON AVEENUE, OKLAHOMA 74002  
(918) 258-0700, FAX (918) 258-0764

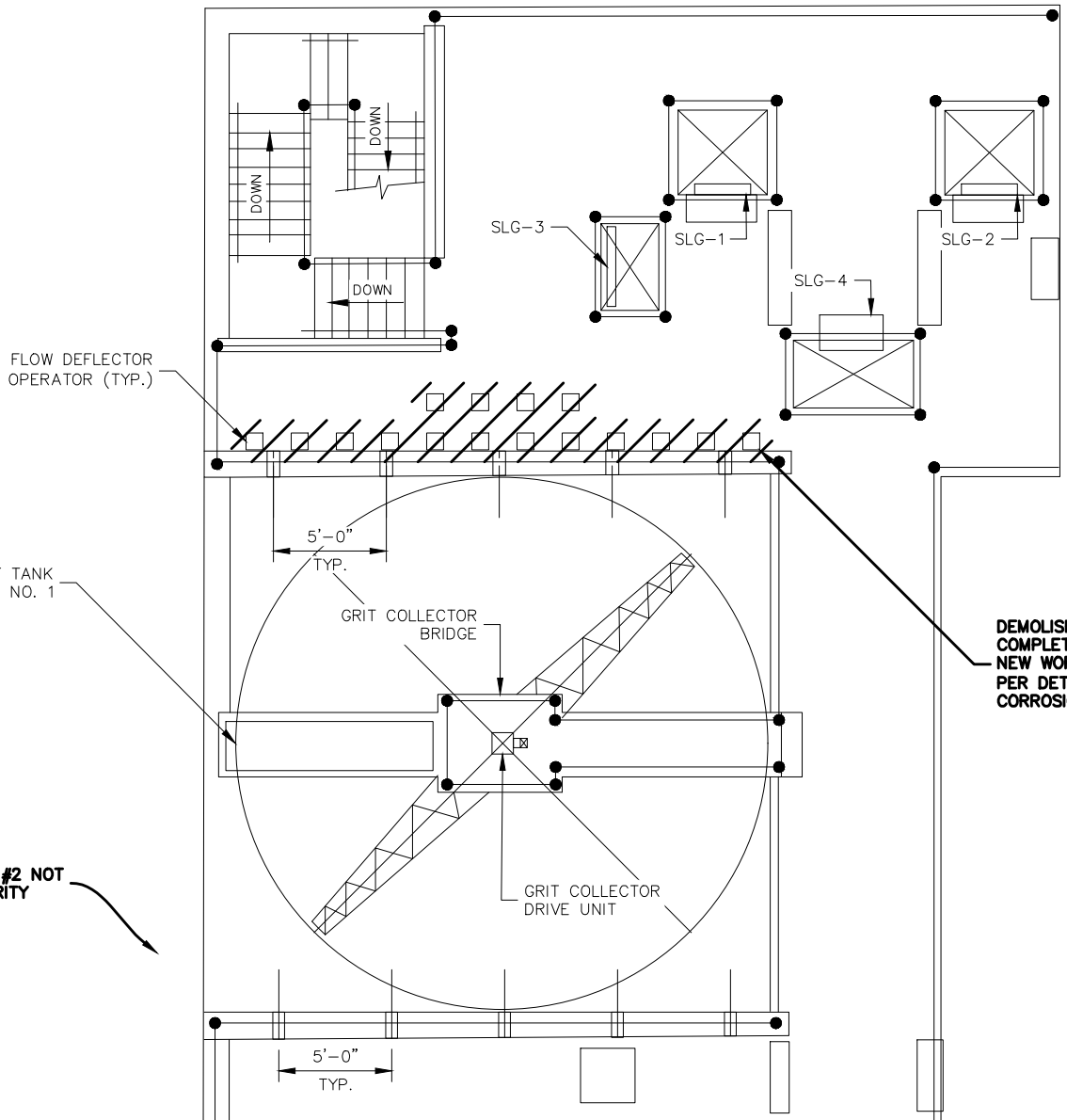
PLAN SCALE:	DRAWN	CMW	APPROVED:
	DESIGNED	TJR	
	SURVEY		
PROFILE SCALE:	PROJ. MGR.		
	LEAD ENGR.		
HORIZONTAL:	FIELD MGR.	TJR	
VERTICAL:			
FILE:	DRAWING:	DATE: 2025	
ATLAS PAGE NO: ---		SHEET 3 OF 19 SHEETS	



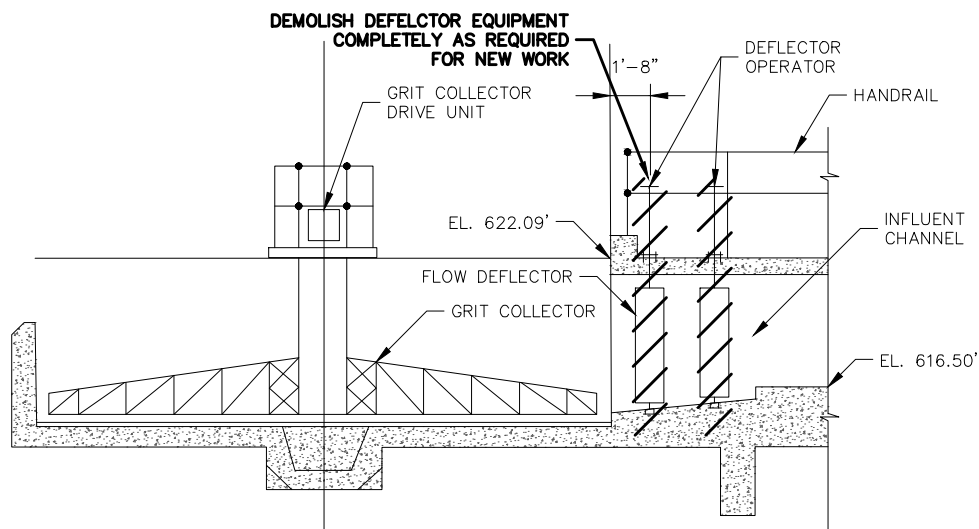
Z:\Projects\2024\24RUAWPC25-2\Design\Production\Plans\203.100.dwg, 1/24/2025 10:43:38 AM



1 SECTION PLAN - EL. 616.00'  
4 SCALE: 1/4" = 1'-0"



2 SECTION PLAN EL. 622.50'  
4 SCALE: 1/4" = 1'-0"



3 GRIT COLLECTOR PARTIAL SECTION  
4 SCALE: 1/4" = 1'-0"

DEMOLISH DEFLECTOR #1 & #2 EQUIPMENT COMPLETELY AS REQUIRED FOR NEW WORK. PROVIDE CONCRETE REPAIR PER DETAIL 3/19 & REPAIR CONCRETE CORROSION COATING AS REQUIRED.

ADDITIVE ALTERNATE #1

REVISION	BY	DATE

BAR IS ONE INCH ON ORIGINAL DRAWING 0 1" IF NOT ONE INCH ON THIS SHEET, ADJUST SCALES ACCORDINGLY

REFERENCE ORIGINAL SA 83-1 RECORD DRAWINGS FOR ADDITIONAL DETAILS & INFORMATION

203.100.A GRIT COLLECTOR #1 & #2 DEFLECTOR DEMOLITION DETAILS

WATER POLLUTION CONTROL CAPITAL EQUIPMENT REPLACEMENTS RMUA PROJECT WPC 25-2

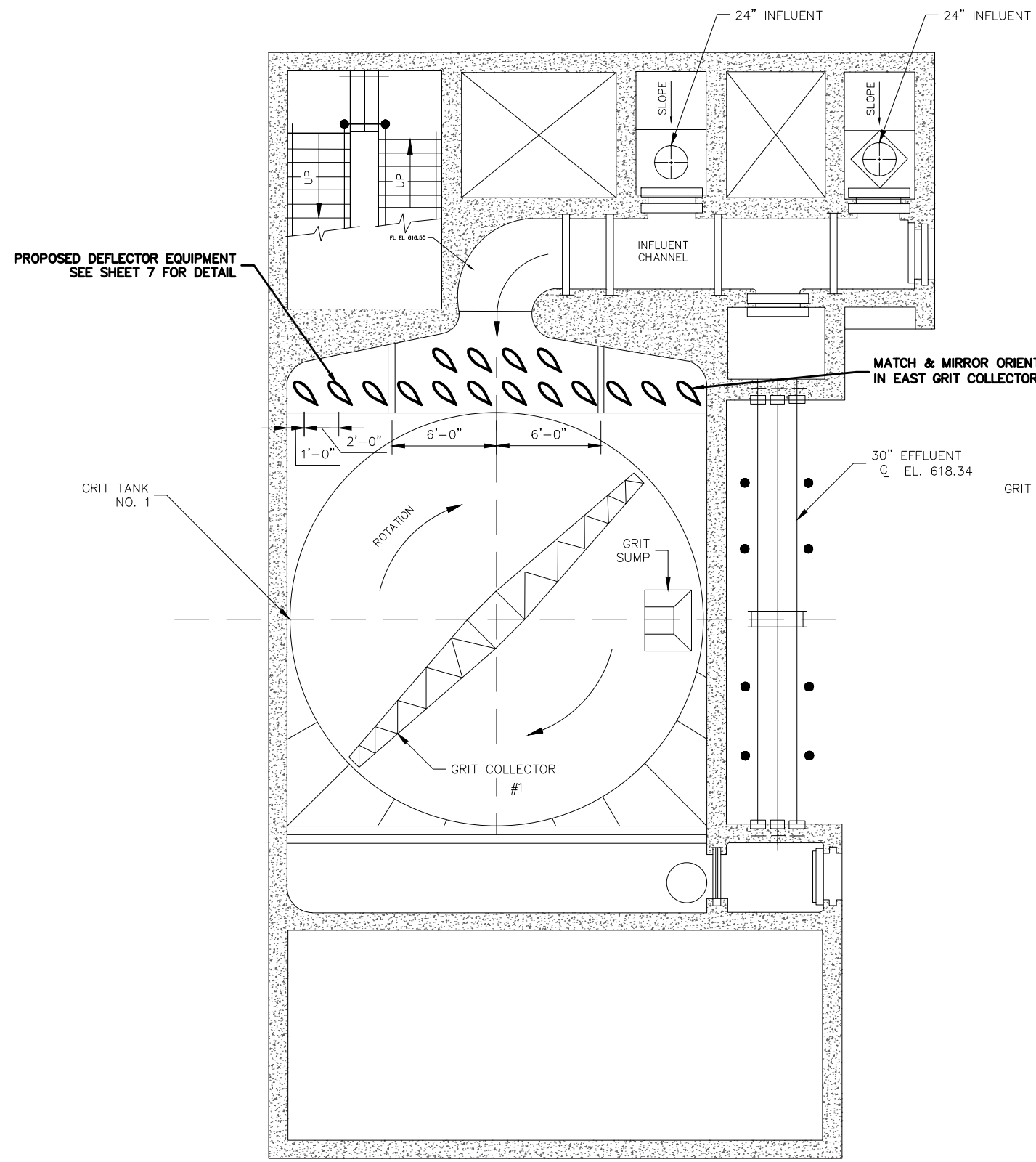
CITY OF TULSA, OKLAHOMA  
TULSA METROPOLITAN UTILITY AUTHORITY  
WATER AND SEWER DEPARTMENT

PLANS AND ESTIMATES PREPARED BY: HOLLOWAY, UPDIKE + BELLEN, Inc. 200 N. WILLOW AVE., BROKEN ARROW, OKLAHOMA 74002 (918)228-0707, FAX (918)228-0764

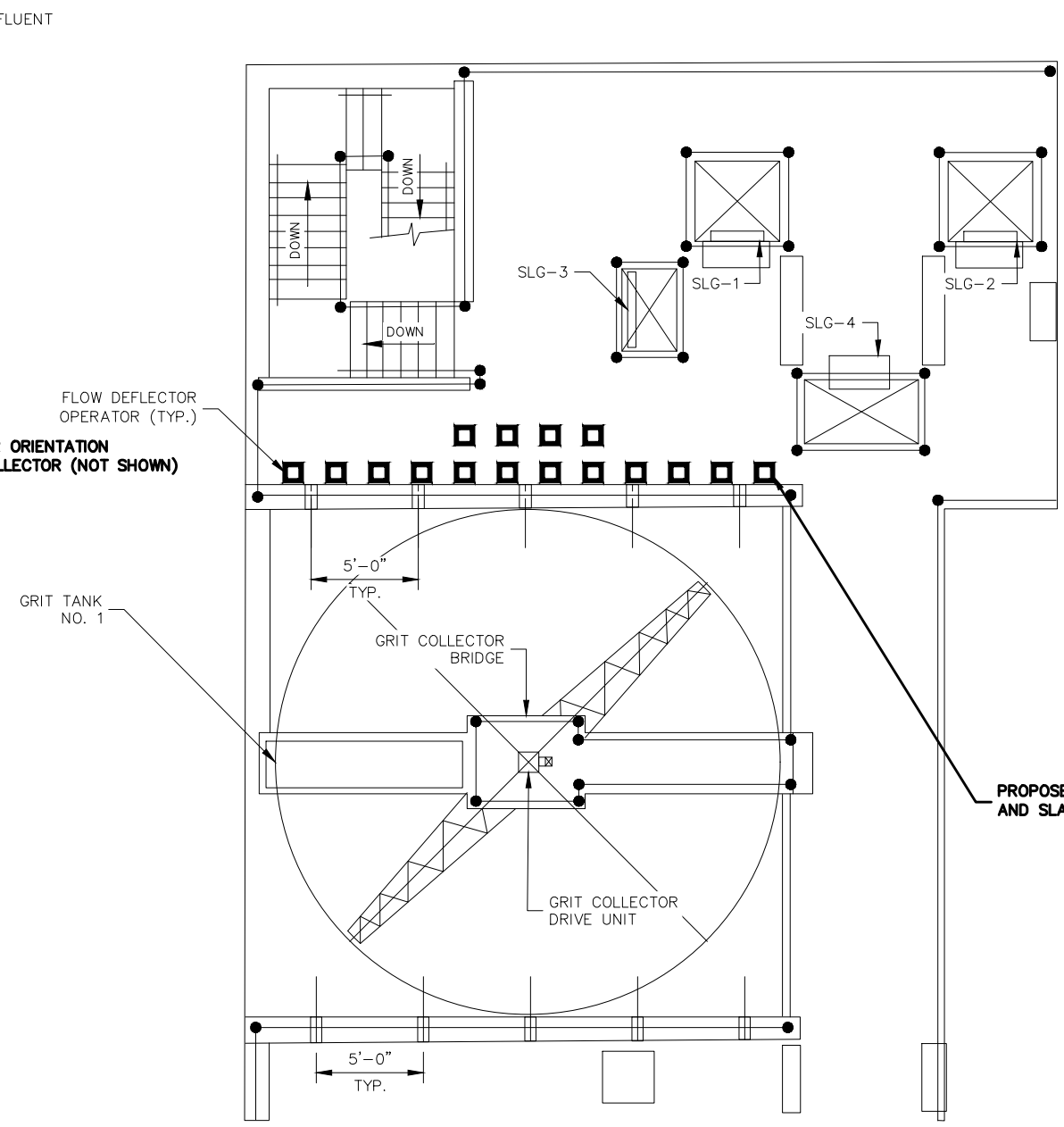
PLAN SCALE:	DRAWN	CMW	APPROVED:
	DESIGNED	TJR	
	SURVEY		
PROFILE SCALE:	PROJ. MGR.		
	LEAD ENGR.		
HORIZONTAL:	FIELD MGR.	TJR	
VERTICAL:			
FILE:	DRAWING:	DATE: 2025	DESIGN ENGINEERING MANAGER
ATLAS PAGE NO: ---			SHEET 4 OF 19 SHEETS



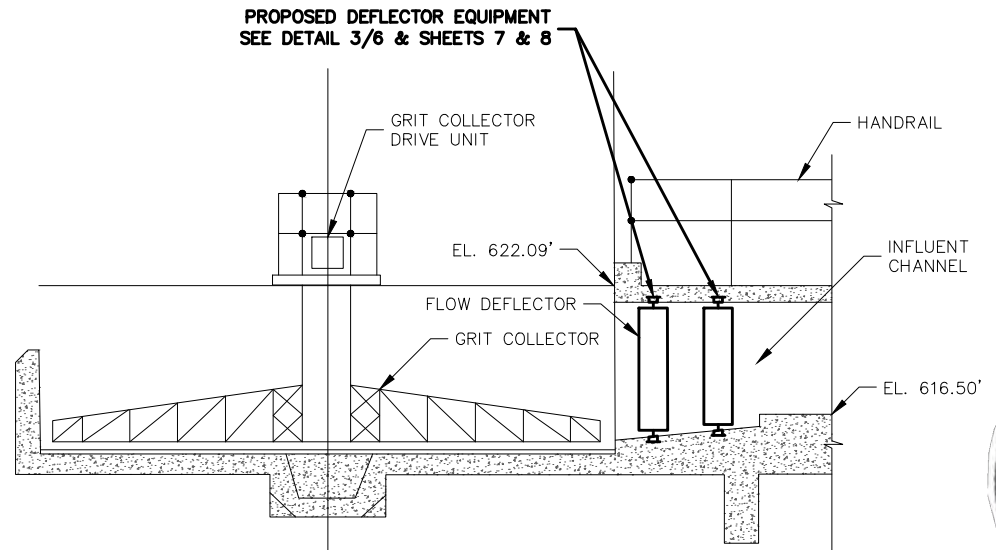
Z:\Projects\2024\24RWUAWPC25-2\Design\Production\Plans\203.100.dwg, 1/24/2025 10:43:39 AM



1 SECTION PLAN - EL. 616.00'  
5 SCALE: 1/4" = 1'-0"



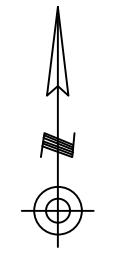
2 SECTION PLAN EL. 622.50'  
5 SCALE: 1/4" = 1'-0"



2 GRIT COLLECTOR PARTIAL SECTION  
5 SCALE: 1/4" = 1'-0"

NOTES:

1. ALL ANCHOR BOLTS AND FASTENERS SHALL BE 316 STAINLESS STEEL.
2. ONE GRIT COLLECTOR CAN BE OUT OF SERVICE AT A TIME AND IS LIMITED TO FOUR (4) WEEKS.
3. CONTRACTOR SHALL PROVIDE ADJUSTMENT SERVICES, INCLUDING UP TO TWO OPERATIONAL FLOW ADJUSTING EFFORTS WITH THE GRIT COLLECTOR BEING REMOVED FROM SERVICE AND RETURNED TO SERVICE FOR FLOW PATH TESTING.
4. RE-COAT & REPAIR CONCRETE COATING WITH EXISTING COATING MANUFACTURER.



ADDITIVE ALTERNATE #1

REVISION	BY	DATE

BAR IS ONE INCH ON ORIGINAL DRAWING 0 1" IF NOT ONE INCH ON THIS SHEET, ADJUST SCALES ACCORDINGLY

REFERENCE ORIGINAL SA 83-1 RECORD DRAWINGS FOR ADDITIONAL DETAILS & INFORMATION

203.100.B GRIT COLLECTOR #1 & #2 DEFLECTOR IMPROVEMENTS

WATER POLLUTION CONTROL CAPITAL EQUIPMENT REPLACEMENTS RMUA PROJECT WPC 25-2

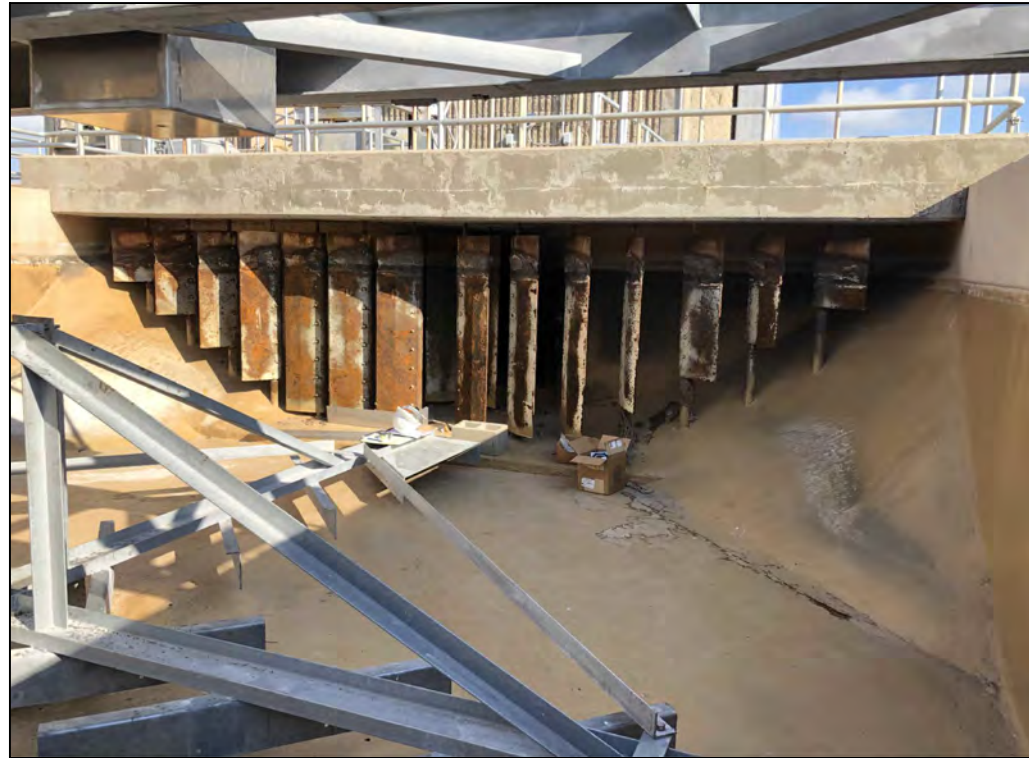
CITY OF TULSA, OKLAHOMA  
TULSA METROPOLITAN UTILITY AUTHORITY  
WATER AND SEWER DEPARTMENT

PLANS AND ESTIMATES PREPARED BY: HOLLOWAY, UPDIKE + BELLEN, Inc. 200 N. WILLOW AVE., BROKEN ARROW, OKLAHOMA 74002 (918)208-0707, FAX (918)208-0764

PLAN SCALE:	DRAWN	CMW	APPROVED:
	DESIGNED	TJR	
	SURVEY		
PROFILE SCALE:	PROJ. MGR.		
	LEAD ENGR.		
HORIZONTAL:	FIELD MGR.	TJR	
VERTICAL:			
FILE:	DRAWING:	DATE: 2025	DESIGN ENGINEERING MANAGER
ATLAS PAGE NO: ---			SHEET 5 OF 19 SHEETS



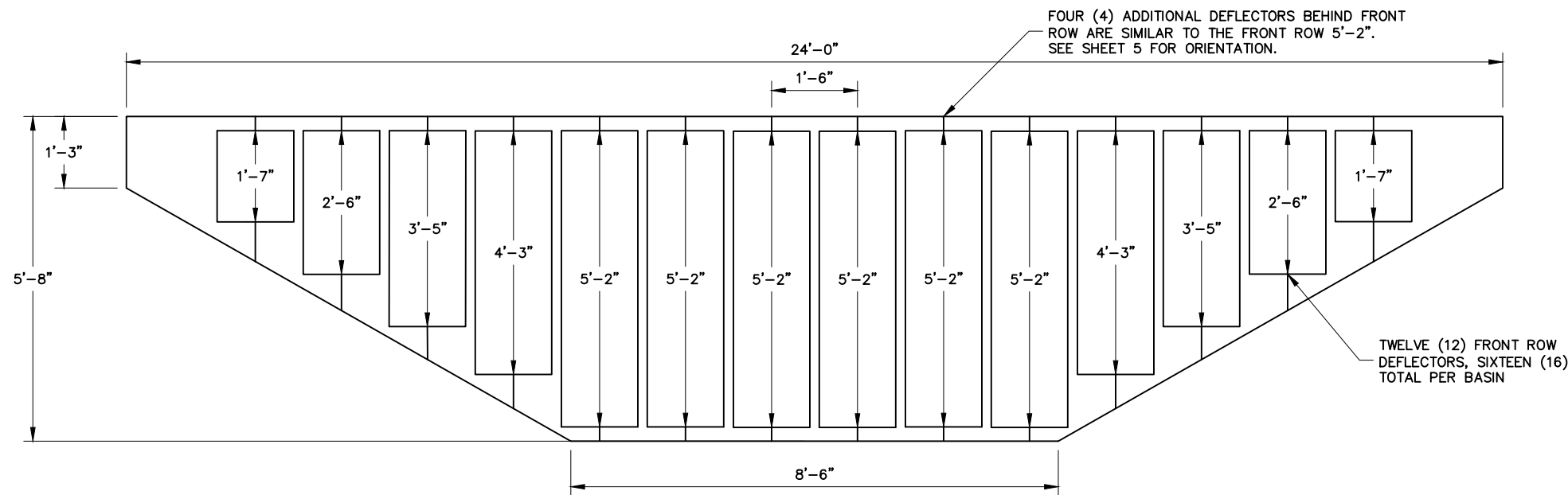




1  
6 GRIT COLLECTOR DEFLECTOR EQUIPMENT PHOTO  
SCALE: 3/4" = 1'-0"



2  
6 GRIT COLLECTOR PHOTO  
SCALE: 3/4" = 1'-0"



NOTE:  
ALL DIMENSIONS ARE APPROXIMATE.  
FIELD VERIFY FOR SUBMITTAL DRAWINGS (DEFLECTORS & ROUGH OPENINGS)

3  
6 GRIT COLLECTOR BASIN ELEVATION, TYP. OF TWO  
SCALE: 3/4" = 1'-0"

ADDITIVE ALTERNATE #1

REVISION	BY	DATE

BAR IS ONE INCH ON ORIGINAL DRAWING 0 1" IF NOT ONE INCH ON THIS SHEET, ADJUST SCALES ACCORDINGLY

REFERENCE ORIGINAL SA 83-1 RECORD DRAWINGS FOR ADDITIONAL DETAILS & INFORMATION

203.100.C GRIT COLLECTOR #1 & #2 DEFLECTOR PHOTOS

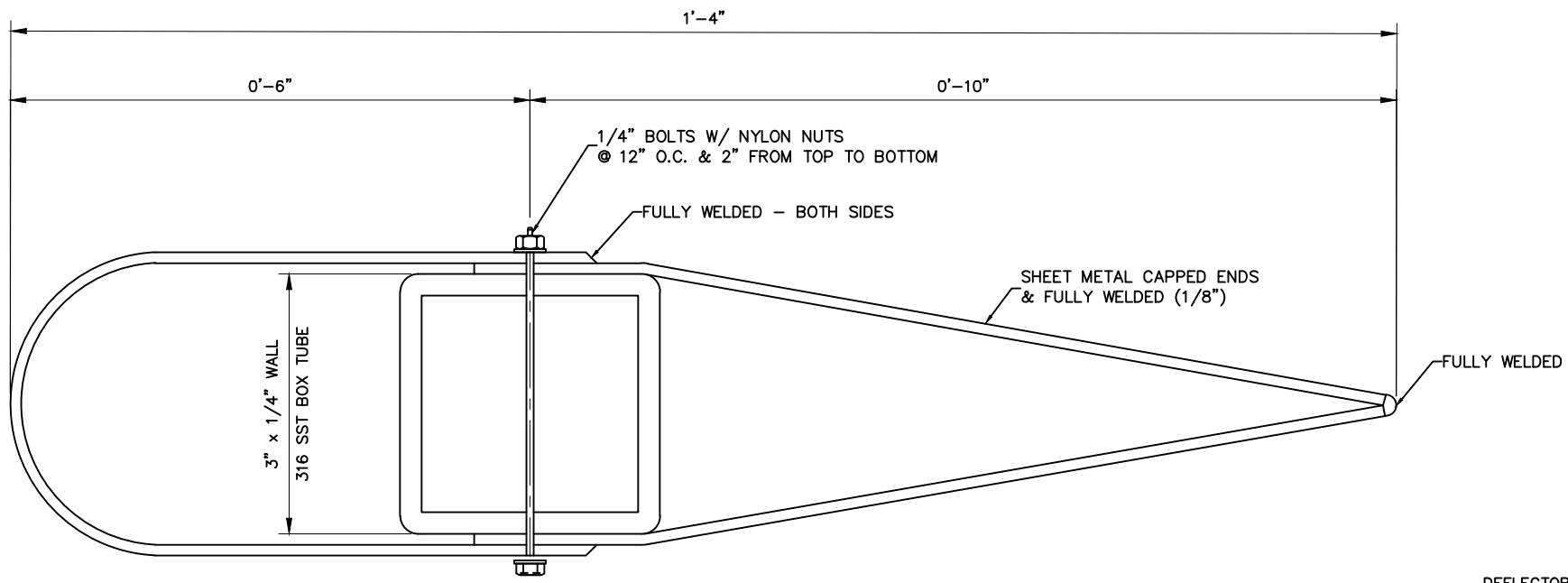
WATER POLLUTION CONTROL CAPITAL EQUIPMENT REPLACEMENTS RMUA PROJECT WPC 25-2

CITY OF TULSA, OKLAHOMA TULSA METROPOLITAN UTILITY AUTHORITY WATER AND SEWER DEPARTMENT

PLANS AND ESTIMATES PREPARED BY: HOLLOWAY, UPDIKE + BELLEN, Inc. 2001 N. WILLOW AVE., BROKEN ARROW, OKLAHOMA 74012 (918) 259-0770, FAX (918) 259-0764

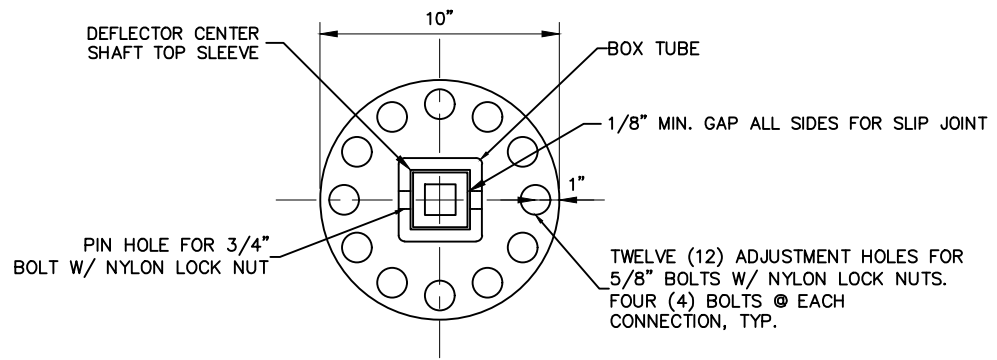
PLAN SCALE:	DRAWN	CMW	APPROVED:
	DESIGNED	TJR	
	SURVEY		
PROFILE SCALE:	PROJ. MGR.		
	LEAD ENGR.		
HORIZONTAL:	FIELD MGR.	TJR	
VERTICAL:			
FILE:	DRAWING:	DATE:	2025
ATLAS PAGE NO: ---			SHEET 6 OF 19 SHEETS



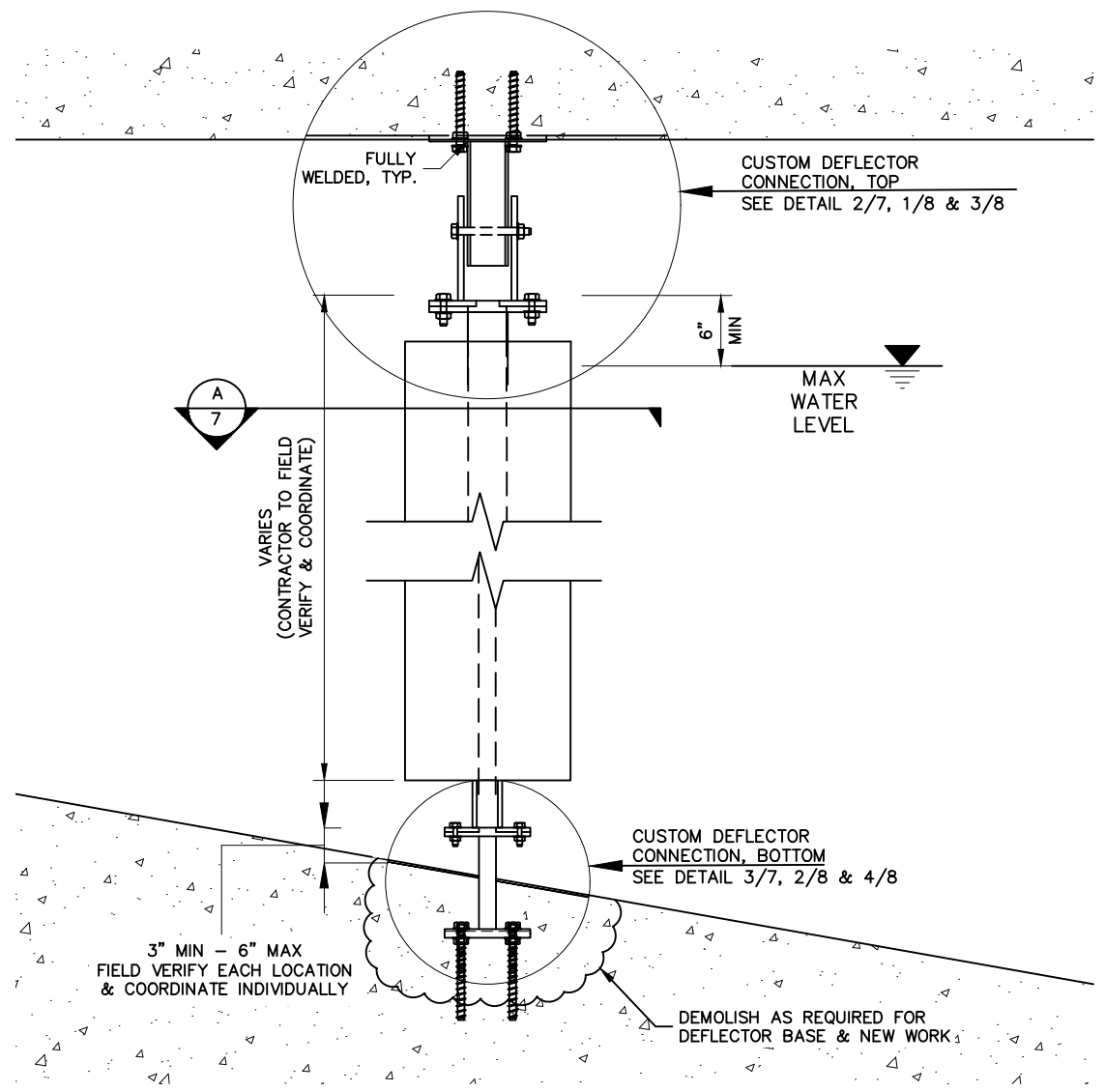


- NOTES:
1. ALL BOLTS, FASTENERS, & CUSTOM DEFLECTOR MATERIALS SHALL BE 316 STAINLESS STEEL.
  2. SHEET METAL SHALL BE 1/8" THICK.
  3. ALL "WELDS" SHALL BE FULLY WELDED CONNECTIONS, ALL SIDE & COMPLETE. NO STITCH OR SEGMENT WELDS.

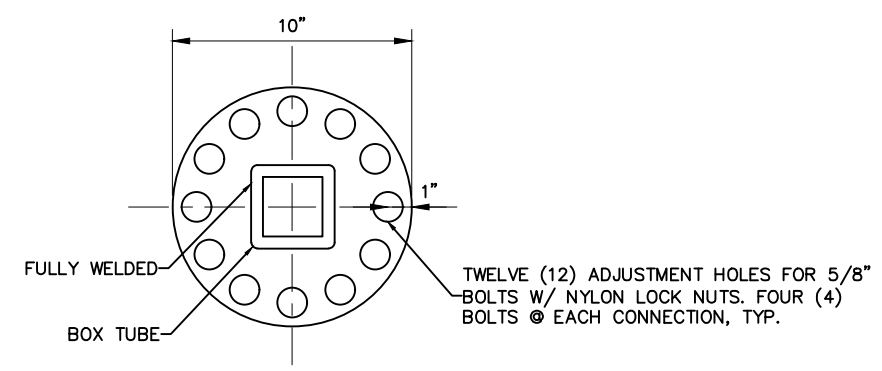
**1** CUSTOM DEFLECTOR SECTION  
SCALE: 1" = 1'-0"



**2** BOLTED TOP CONNECTION DETAIL  
SCALE: 3" = 1'-0"



**1** CUSTOM DEFLECTOR ELEVATION  
SCALE: 1 1/2" = 1'-0"



**3** BOLTED BOTTOM CONNECTION DETAIL  
SCALE: 3" = 1'-0"

**ADDITIVE ALTERNATE #1**

REVISION	BY	DATE

BAR IS ONE INCH ON ORIGINAL DRAWING 0 1" IF NOT ONE INCH ON THIS SHEET, ADJUST SCALES ACCORDINGLY

REFERENCE ORIGINAL SA 83-1 RECORD DRAWINGS FOR ADDITIONAL DETAILS & INFORMATION

203.100.D GRIT COLLECTOR #1 & #2 DEFLECTOR DETAILS

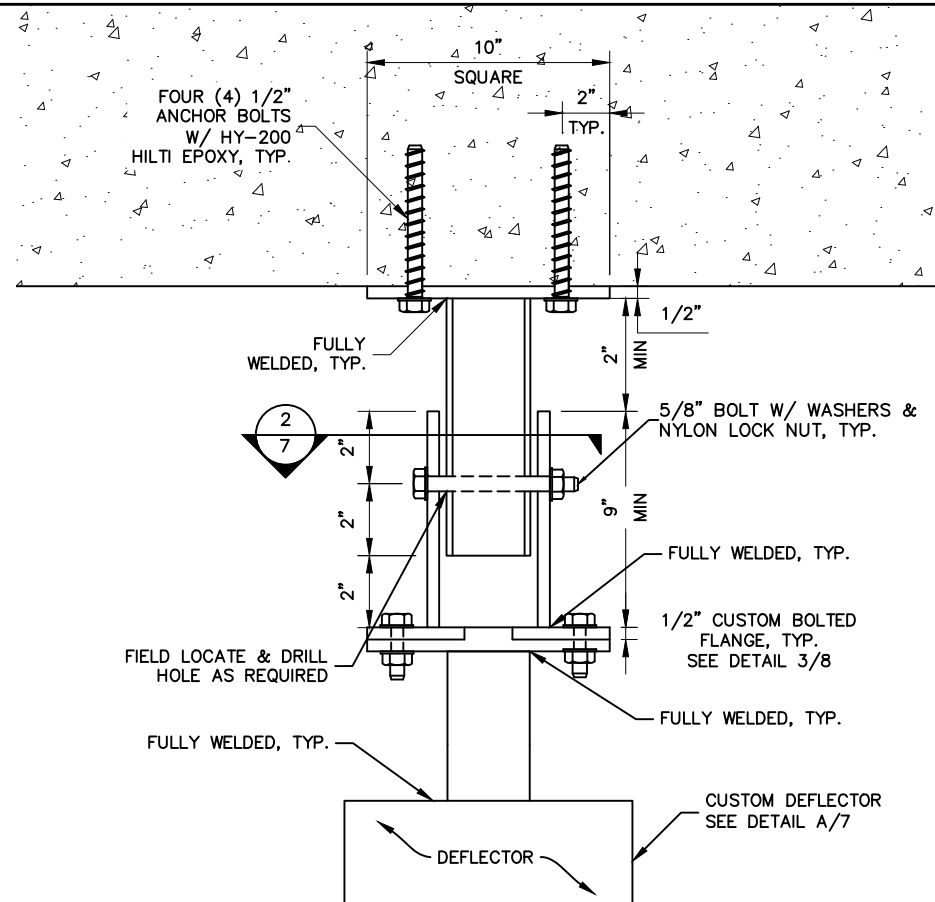
WATER POLLUTION CONTROL CAPITAL EQUIPMENT REPLACEMENTS RMUA PROJECT WPC 25-2

CITY OF TULSA, OKLAHOMA  
TULSA METROPOLITAN UTILITY AUTHORITY  
WATER AND SEWER DEPARTMENT

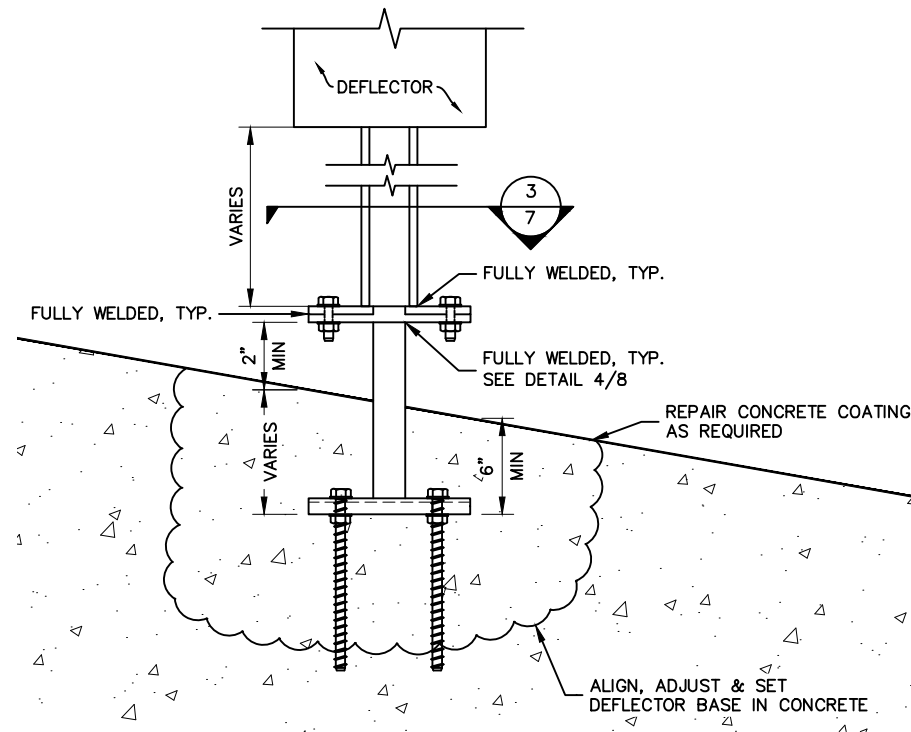
PLANS AND ESTIMATES PREPARED BY: **HOLLOWAY, UPDIKE + BELLEN, Inc.**  
2001 N. WILLOW AVE., BROKEN ARROW, OKLAHOMA 74012  
(918) 258-0700, FAX (918) 258-0764

PLAN SCALE:	DRAWN	CMW	APPROVED:
	DESIGNED	TJR	
	SURVEY		
PROFILE SCALE:	PROJ. MGR.		
	LEAD ENGR.		
HORIZONTAL:	FIELD MGR.	TJR	
VERTICAL:			
			DESIGN ENGINEERING MANAGER
FILE:	DRAWING:	DATE:	2025
ATLAS PAGE NO: ---			SHEET 7 OF 19 SHEETS



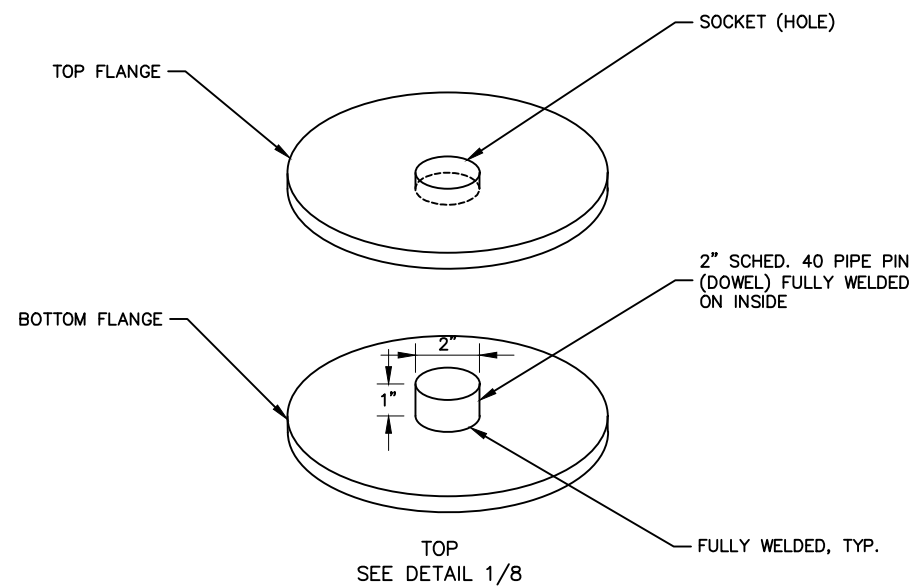


1  
8  
CUSTOM DEFLECTOR CONNECTION &  
ADJUSTABLE MOUNTING DETAIL (TOP)  
SCALE: NTS



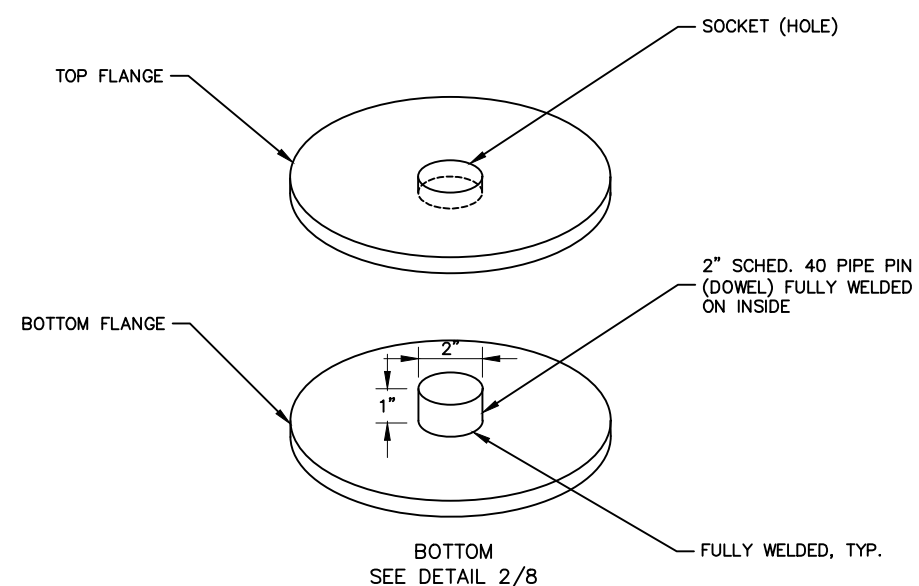
2  
8  
CUSTOM DEFLECTOR CONNECTION &  
ADJUSTABLE MOUNTING DETAIL (BOTTOM)  
SCALE: NTS

- NOTES:
1. ALL BOLTS, FASTENERS, & CUSTOM DEFLECTOR MATERIALS SHALL BE 316 STAINLESS STEEL.
  2. ALL WELDED CONNECTIONS SHALL BE FULLY WELDED.



- NOTES:
1. BOLT HOLES NOT SHOWN FOR CLARITY.
  2. SOCKET (HOLE) INSIDE DIMENSION SHALL BE 1/4" LARGER THAN THE PIN (DOWEL).

3  
8  
CUSTOM PIN & SOCKET FLANGE DETAIL (TOP)  
SCALE: NTS



- NOTES:
1. BOLT HOLES NOT SHOWN FOR CLARITY.
  2. SOCKET (HOLE) INSIDE DIMENSION SHALL BE 1/4" LARGER THAN THE PIN (DOWEL).

4  
8  
CUSTOM PIN & SOCKET FLANGE DETAIL (BOTTOM)  
SCALE: NTS

ADDITIVE ALTERNATE #1

REVISION	BY	DATE

BAR IS ONE INCH ON ORIGINAL DRAWING 0 1" IF NOT ONE INCH ON THIS SHEET, ADJUST SCALES ACCORDINGLY

REFERENCE ORIGINAL SA 83-1  
RECORD DRAWINGS FOR ADDITIONAL  
DETAILS & INFORMATION

203.100.E GRIT COLLECTOR #1 & #2  
DEFLECTOR DETAILS

WATER POLLUTION CONTROL  
CAPITAL EQUIPMENT REPLACEMENTS  
RMUA PROJECT WPC 25-2

CITY OF TULSA, OKLAHOMA  
TULSA METROPOLITAN UTILITY AUTHORITY  
WATER AND SEWER DEPARTMENT

PLANS AND ESTIMATES  
PREPARED BY:  HOLLOWAY, UPDIKE + BELLEN, Inc.  
200 N. WILLOW AVE., BROKEN ARROW, OKLAHOMA 74012  
(918) 258-0770, FAX (918) 258-0764

PLAN SCALE:	DRAWN	CMW	APPROVED:
	DESIGNED	TJR	
	SURVEY		
PROFILE SCALE:	PROJ. MGR.		
	LEAD ENGR.		
HORIZONTAL:	FIELD MGR.	TJR	
VERTICAL:			
FILE:	DRAWING:	DATE: 2025	DESIGN ENGINEERING MANAGER
ATLAS PAGE NO: ---			SHEET 8 OF 19 SHEETS

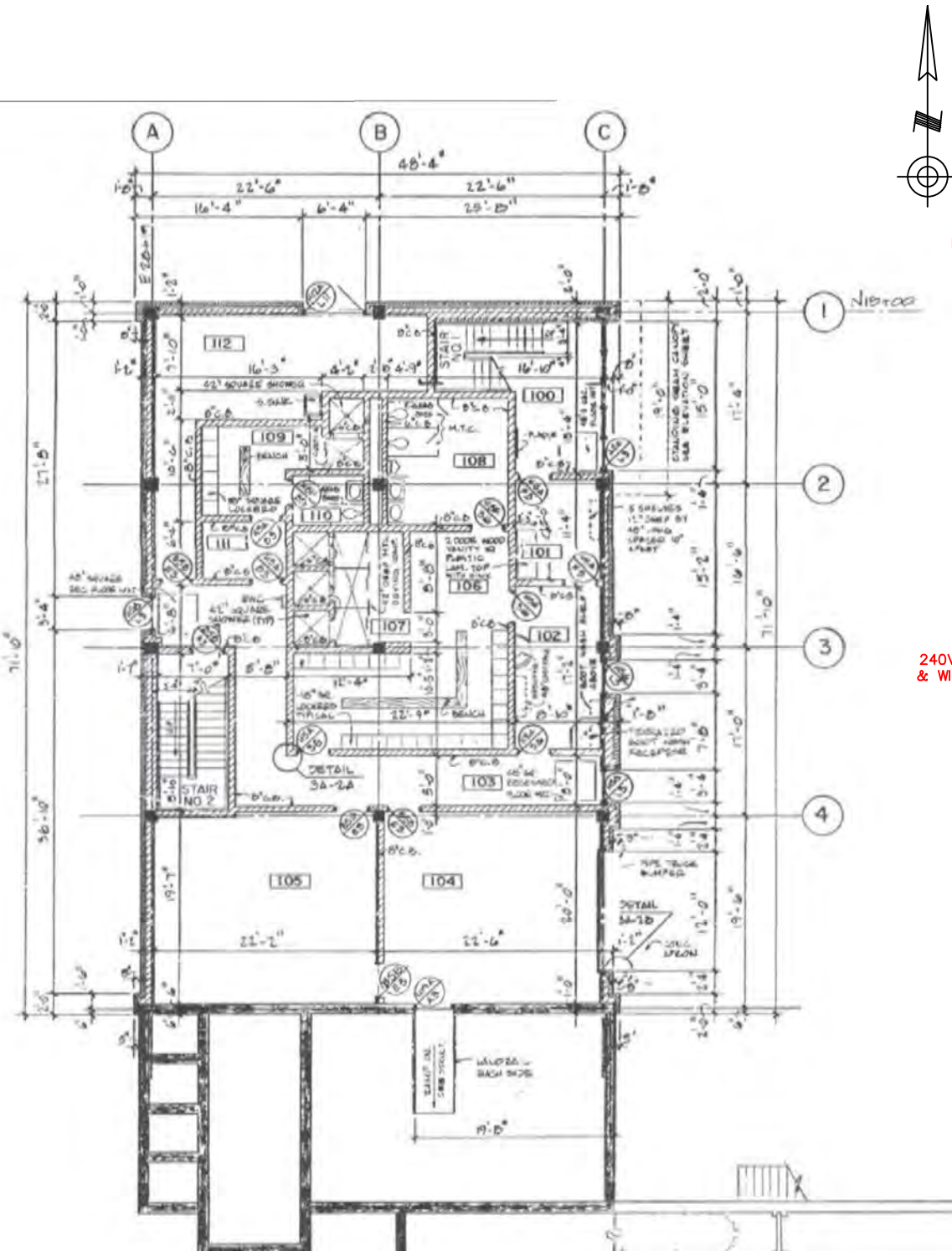




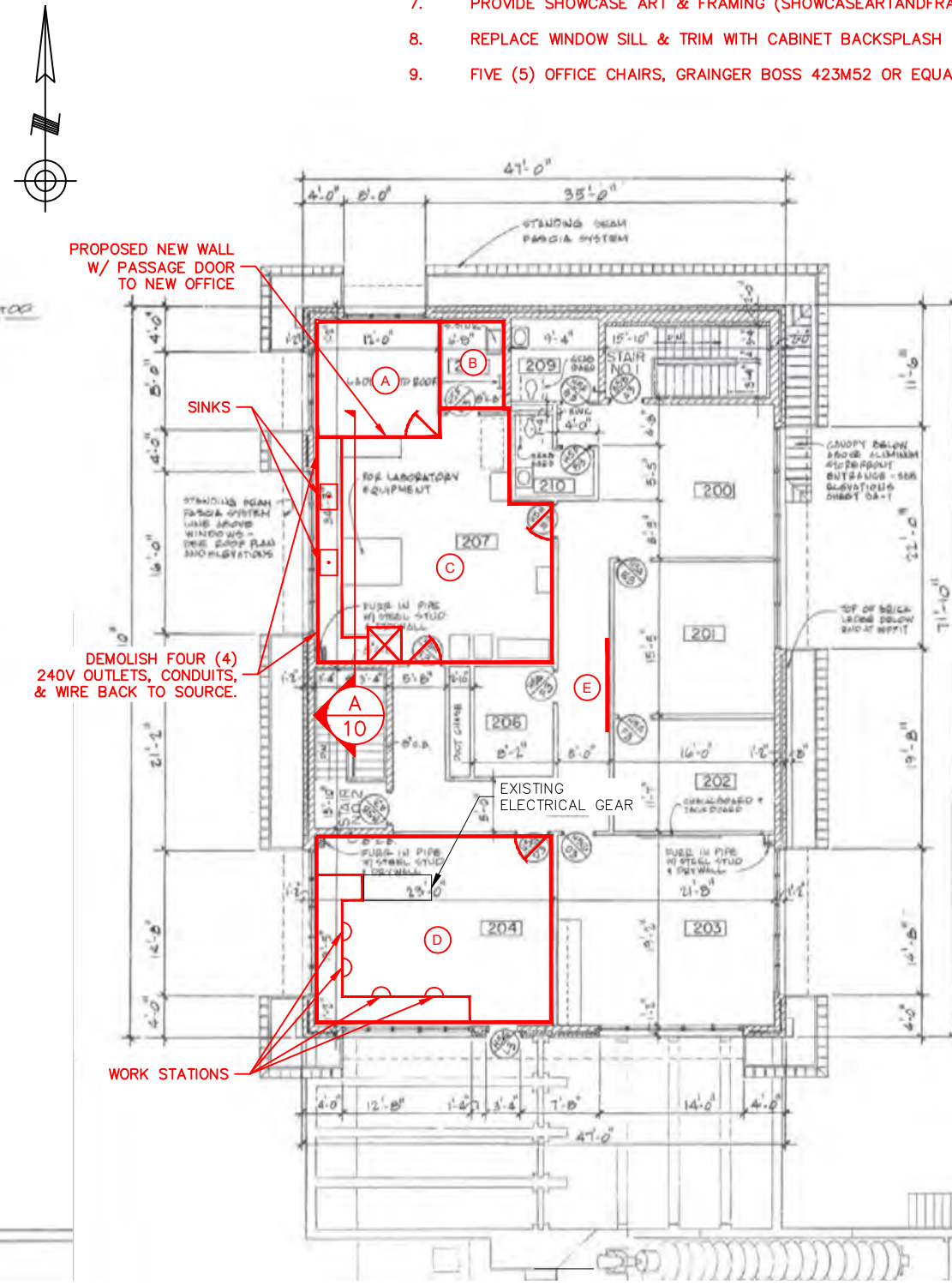
ROOM FINISH SCHEDULE					
MARK	ROOM	FLOORING:	WALLS:	CEILING:	NOTES
A	PROPOSED OFFICE	REFURBISH	SEE NOTE #2	SUSPENDED ACOUSTIC	1, 2, 3, 4, 5, 8
B	CLOSET	REFURBISH	SEE NOTE #2	CONCRETE DECK	1, 2, 6
C	LABORATORY	REFURBISH	SEE NOTE #2	SUSPENDED ACOUSTIC	1, 2, 3, 4, 5, 6, 8
D	OPERATIONS ROOM	REFURBISH	SEE NOTE #2	SUSPENDED ACOUSTIC	1, 3, 4, 5, 9
E	HALLWAY				7

FINISH NOTES:

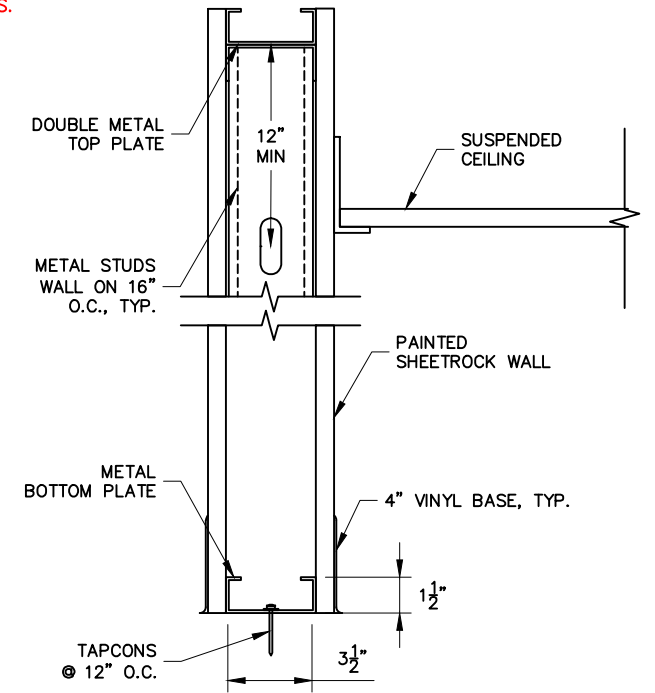
- PAINT SHALL BE OIL BASED SATIN FINISH.
- DEMOLISH ALL WALL TILE. PREPARE WALL & INSTALL MOISTURE RESISTANT 5/8" SHEETROCK & PAINT.
- REMOVE & REPLACE BLINDS W/VERTICAL 4" WIDE COMMERCIAL BLIND SYSTEM, BLIND SHOULD BE UV STABLE, ROTATE AND SLIDE TO ONE SIDE IN EACH WINDOW OPENING. CUSTOM FIT FOR SPACE & LOCATION. COLOR BY OWNER.
- REFURBISH EXISTING TERRAZZO FLOOR SYSTEM. CONTRACTOR TO INCLUDE MANUFACTURING REPRESENTATIVE SPECIAL SERVICES FOR INSPECTION, RECOMMENDATION, SURFACE GRINDING/POLISHING, SURFACE CLEANING & SEALING.
- REPLACE CEILING GRID SYSTEM & TILE. SEE SHEET 13.
- REMOVE, PROTECT, & REINSTALL FOUR (4) BOTTLE RACKS WITH NEW 316 SST SCREWS & PROVIDE 200 ADDITIONAL NEW BOTTLE PEGS. CONTRACTOR SHALL COORDINATE & FIELD VERIFY. COORDINATE LOCATIONS WITH OWNERS REPRESENTATIVE. PROVIDE FOUR (4) 4'X4' BLACKLAND MANUFACTURING 1" RESIN PEGBOARD DRYING RACK COMPLETE W/ PEGS AND 20 EA SPARE PEGS PER BOARD. BOARD SHALL BE BLACK WITH WHITE PEGS.
- PROVIDE SHOWCASE ART & FRAMING (SHOWCASEARTANDFRAMING.COM) CLEAR ACRYLIC WALL DISPLAY – LANDSCAPE 11x8.5 (3x4) (SKU: CWA34L)
- REPLACE WINDOW SILL & TRIM WITH CABINET BACKSPLASH & TOP MATERIALS.
- FIVE (5) OFFICE CHAIRS, GRAINGER BOSS 423M52 OR EQUAL.



1 PLAN @ OPERATIONS BUILDING (FIRST FLOOR)  
SCALE: 1/8" = 1'-0"



2 PLAN @ OPERATIONS BUILDING (SECOND FLOOR)  
SCALE: 1/8" = 1'-0"



A TYPICAL SHEETROCK METAL STUD WALL  
9 SCALE: NTS

REVISION	BY	DATE

BAR IS ONE INCH ON ORIGINAL DRAWING 1" IF NOT ONE INCH ON THIS SHEET, ADJUST SCALES ACCORDINGLY

REFERENCE ORIGINAL SA 83-1 RECORD DRAWINGS FOR ADDITIONAL DETAILS & INFORMATION

203.200.A OPERATIONS LABORATORY & OPERATIONS ROOM REMODEL PLAN

WATER POLLUTION CONTROL CAPITAL EQUIPMENT REPLACEMENTS RMUA PROJECT WPC 25-2

CITY OF TULSA, OKLAHOMA  
TULSA METROPOLITAN UTILITY AUTHORITY  
WATER AND SEWER DEPARTMENT

PLANS AND ESTIMATES PREPARED BY: **HOLLOWAY, UPDIKE + BELLEN, Inc.**  
2001 N. WILLOW AVE., BROKEN ARROW, OKLAHOMA 74002  
(918)208-0770, FAX (918)208-0764

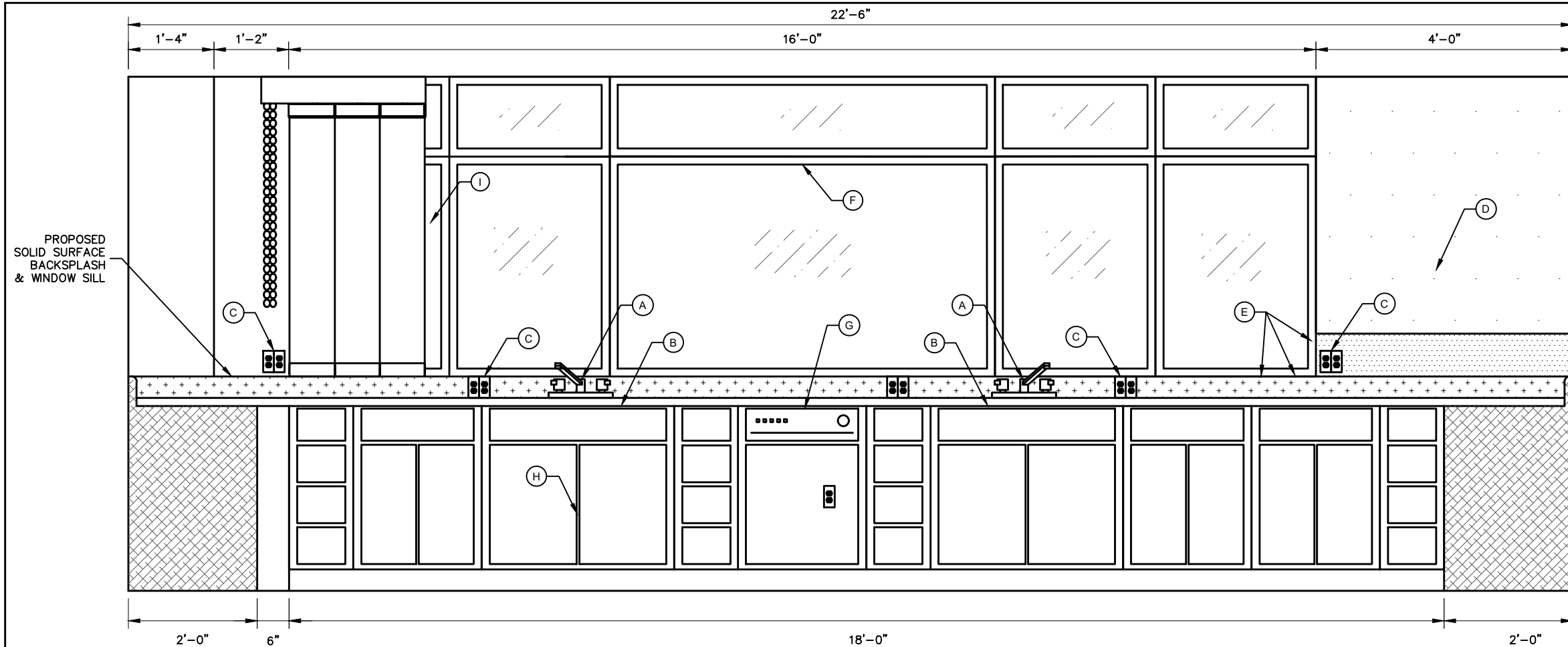
PLAN SCALE:	DRAWN	CMW	APPROVED:
	DESIGNED	TJR	
	SURVEY		
PROFILE SCALE:	PROJ. MGR.		
	LEAD ENGR.		
HORIZONTAL:	FIELD MGR.	TJR	
VERTICAL:			

DESIGN ENGINEERING MANAGER

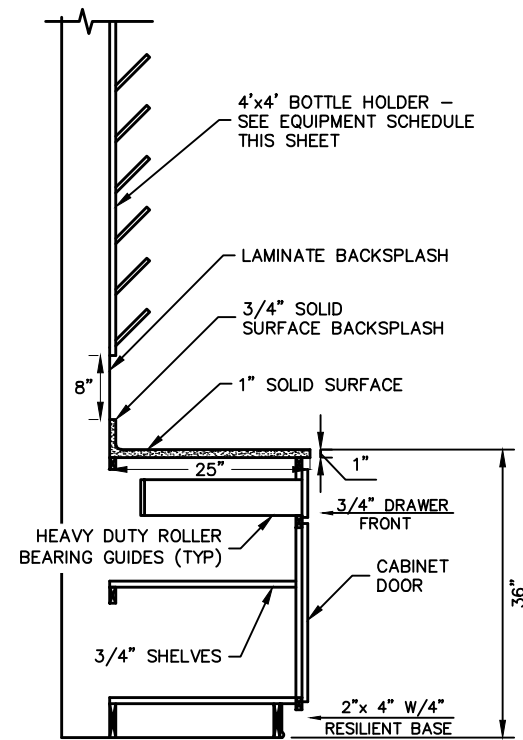
FILE: DRAWING: DATE: 2025  
ATLAS PAGE NO: --- SHEET 9 OF 19 SHEETS



Z:\Projects\2024\24RWUAWPC25-2\Design\Production\Plans\203.100.dwg, 1/24/2025 10:43:44 AM



**A** SECTION @ LABORATORY  
SCALE: 1" = 1'-0"

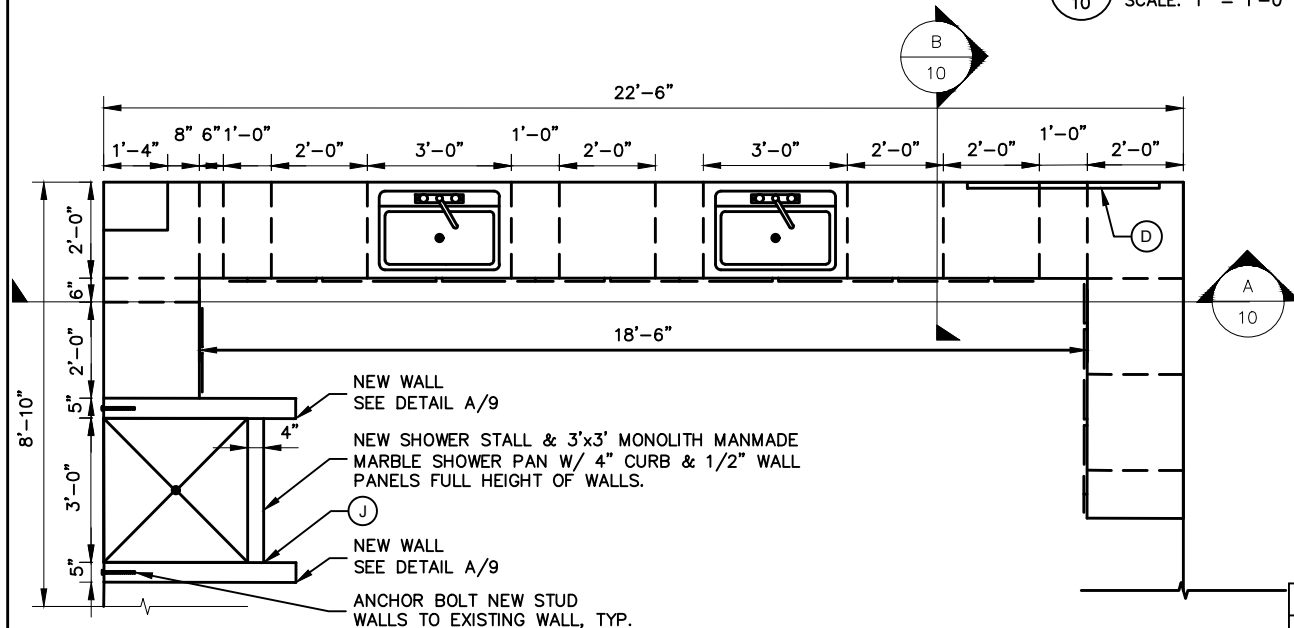


**B** SECTION @ CABINET  
SCALE: 1" = 1'-0"



**EQUIPMENT & GENERAL NOTES:**

1. STAINLESS STEEL FRONT W/BLACK ACCENTS.
2. STAINLESS FINISH, TWO HANDLE (HOT/COLD) W/ HIGH ARC SPOUT & SPRAY HANDLE IN SPOUT OR SEPARATE.
3. ADD FOUR (4) NEW 120 VOLT CIRCUITS AND DUPLEX RECEPTACLES AS REQUIRED FOR THE NEW VENT FAN AND GARBAGE DISPOSAL FROM EXISTING PANEL IN ELECTRICAL ROOM. DISPOSAL SHALL BE A DEDICATED CIRCUIT. SEE ELECTRICAL DRAWINGS FOR ADDITIONAL REQUIREMENTS.
4. INSTALL TWO (2) ADDITIONAL DUPLEX GFI PROTECTED APPLIANCE RECEPTACLES UNDER THE CABINETS ON BACK WALL AT BOTH ENDS OF COUNTER.
5. REPAIR SHEET ROCK FOR PAINT. PAINT ALL WALLS IN ROOM.
6. CONTRACTOR TO SUBMIT PRELIMINARY CABINET LAYOUT FOR APPROVAL. CONTRACTOR TO CONFIRM AND INCLUDE DIMENSIONAL INFORMATION ON ALL EQUIPMENT AND CABINETS.
7. CITY RETAINS SALVAGE RIGHTS. DELIVER SALVAGE ITEMS AND SPARE PARTS TO THE HCWWTP MAINTENANCE BUILDING.
8. CABINET & CABINET TOP COLOR SELECTED BY OWNER.
9. REUSE & REINSTALL FOUR (4) BOTTLE RACKS & PROVIDE 200 NEW PEGS FOR LAB SERVICE.



**1** PLAN @ LABORATORY  
SCALE: 1/2" = 1'-0"

**DETAIL NOTES:**

1. STANDARD COLOR OF THE COUNTER TOP & CABINETS TO BE SELECTED BY OWNER.

EQUIPMENT SCHEDULE			
ID	DESCRIPTION	MATERIAL/COLOR	MANUFACTURER NUMBER OR EQUAL
A	FAUCET w/HOT & COLD HANDLES	STAINLESS STEEL FINISH	DELTA, AMERICAN STANDARD, KOHLER
B	33"x29"x9" KITCHEN SINK	304 STAINLESS STEEL	SEE SIZE REQUIREMENT
C	OUTLETS		REUSE EXISTING CONDUITS TO EXTENT POSSIBLE
D	4'x4' BOTTLE HOLDER	BLACK 1" RESIN	
E	SOLID SURFACE, BACKSPLASH & WINDOW TRIM/SILL		
F	WINDOWS		NO WORK (PROTECT)
G	36" DISHWASHER	STAINLESS & BLACK	
H	CABINETS	SOLID 304 STAINLESS STEEL HARDWARE, SCREWS, & PULLS, TYP.	ICI SCIENTIFIC, ONEPOINT SOLUTIONS OR EQUAL. FULL-FLUSH OVERLAY, FACTORY COATED, STEEL LABORATORY GRADE CABINETS WITH PHENOLIC RESIN COUNTERTOPS, TYP.
I	VERTICAL BLINDS		MATCH KITCHEN
J	SHOWER PAN, WALLS & CURB	BLACK	

REVISION	BY	DATE

BAR IS ONE INCH ON ORIGINAL DRAWING 0 1" IF NOT ONE INCH ON THIS SHEET, ADJUST SCALES ACCORDINGLY

**203.200.B OPERATIONS LABORATORY & OPERATIONS ROOM REMODEL SECTIONS & DETAILS**

**WATER POLLUTION CONTROL CAPITAL EQUIPMENT REPLACEMENTS RMUA PROJECT WPC 25-2**

**CITY OF TULSA, OKLAHOMA TULSA METROPOLITAN UTILITY AUTHORITY WATER AND SEWER DEPARTMENT**

PLANS AND ESTIMATES PREPARED BY: **HOLLOWAY, UPDIKE + BELLEN, Inc.**  
2001 N WILLOW AVE, BROKEN ARROW, OKLAHOMA 74002  
(918)298-0707, FAX (918)298-0764

PLAN SCALE:	DRAWN	CMW	APPROVED:
	DESIGNED	TJR	
	SURVEY		
PROFILE SCALE:	PROJ. MGR.		
	LEAD ENGR.		
HORIZONTAL:	FIELD MGR.	TJR	
VERTICAL:			

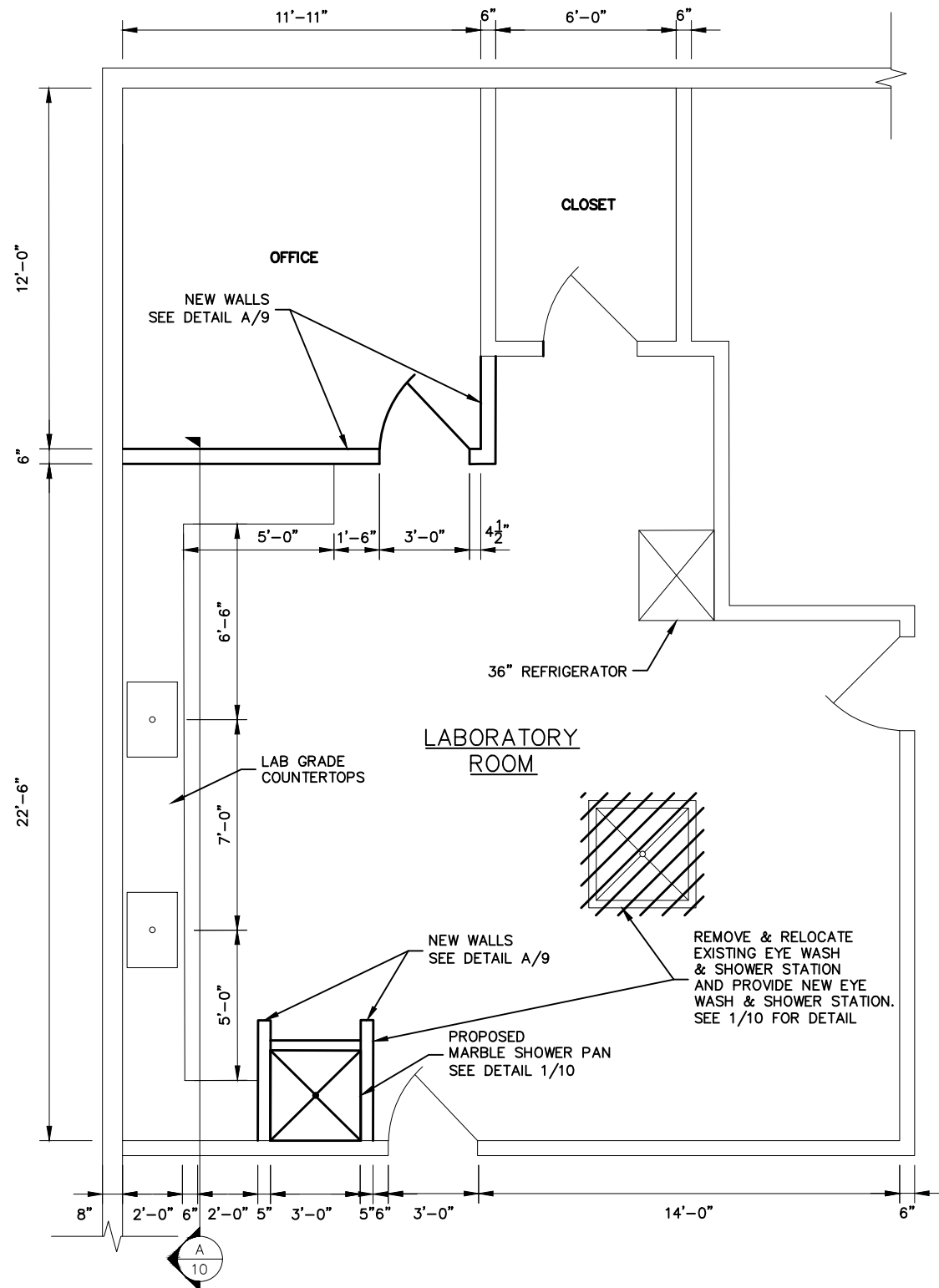
DESIGN ENGINEERING MANAGER

FILE: \_\_\_\_\_ DRAWING: \_\_\_\_\_ DATE: 2025

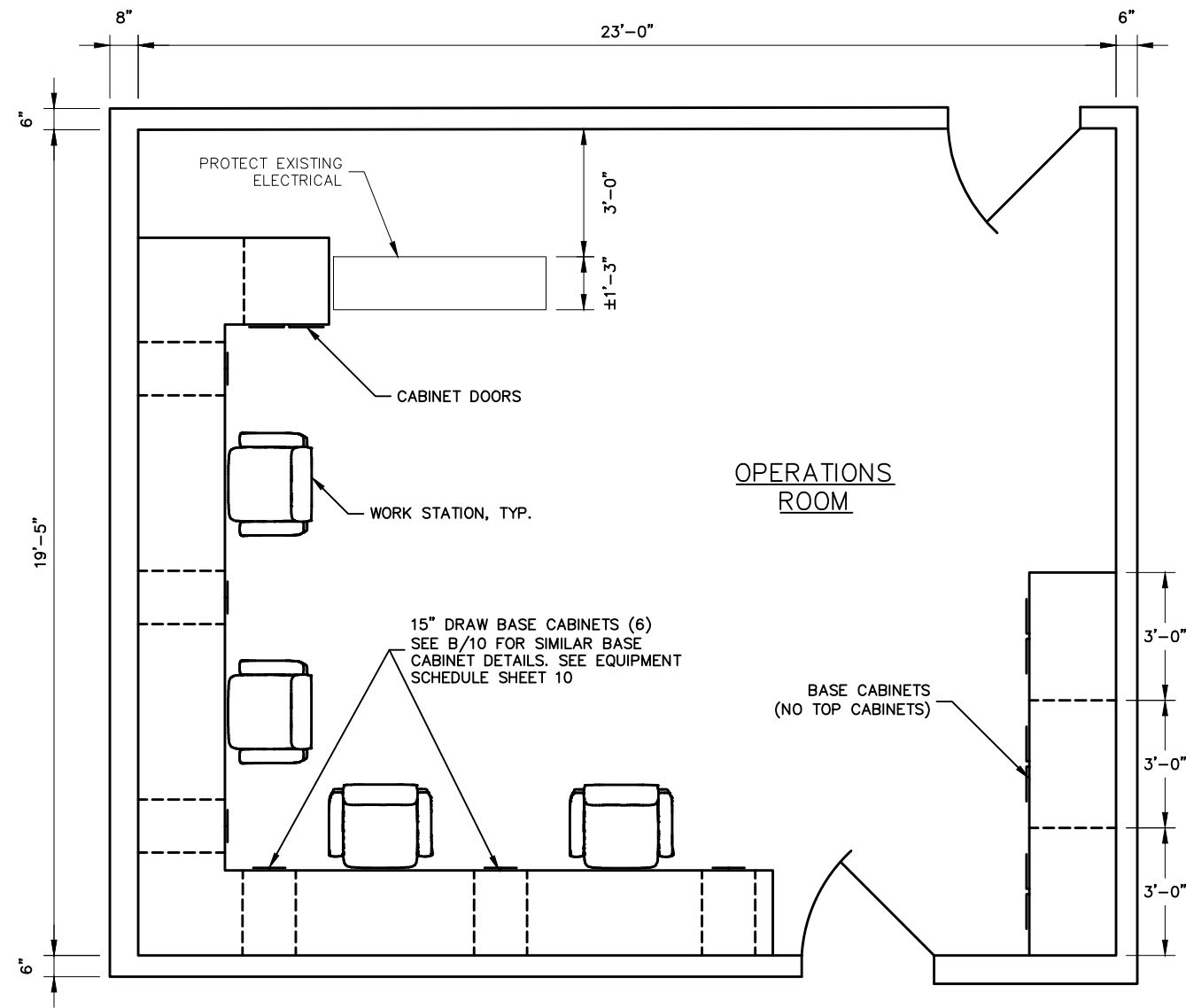
ATLAS PAGE NO: --- SHEET 10 OF 19 SHEETS



Z:\Projects\2024\24RWUAWPC25-2\Design\Production\Plans\203.100.dwg, 1/24/2025 10:43:46 AM



1 LABORATORY ROOM PLAN  
SCALE: 3/8" = 1'-0"



2 OPERATIONS ROOM PLAN  
SCALE: 1/2" = 1'-0"

- NOTES:**
- REMOVE, STORE INSIDE THE OPERATIONS BUILDING & REINSTALL CITY EQUIPMENT, REFRIGERATOR, SHELVES, DESKS, BOOK CASES & OTHER FURNITURE FOR NEW WORK.

REVISION	BY	DATE

BAR IS ONE INCH ON ORIGINAL DRAWING 0 1" IF NOT ONE INCH ON THIS SHEET, ADJUST SCALES ACCORDINGLY

203.200.C OPERATIONS LABORATORY & OPERATIONS ROOM REMODEL SECTIONS & DETAILS  
WATER POLLUTION CONTROL CAPITAL EQUIPMENT REPLACEMENTS RMUA PROJECT WPC 25-2

CITY OF TULSA, OKLAHOMA  
TULSA METROPOLITAN UTILITY AUTHORITY  
WATER AND SEWER DEPARTMENT

PLANS AND ESTIMATES PREPARED BY: **HOLLOWAY, UPDIKE + BELLEN, Inc.**  
2001 N. WILLOW AVE., BROKEN ARROW, OKLAHOMA 74012  
(918) 258-0770, FAX (918) 258-0764

PLAN SCALE:	DRAWN	CMW	APPROVED:
	DESIGNED	TJR	
	SURVEY		
PROFILE SCALE:	PROJ. MGR.		
	LEAD ENGR.		
HORIZONTAL:	FIELD MGR.	TJR	
VERTICAL:			
FILE:	DRAWING:	DATE: 2025	
ATLAS PAGE NO: ---			SHEET 11 OF 19 SHEETS





1 LABORATORY ROOM PHOTO  
12 SCALE: 3/8" = 1'-0"



2 OPERATIONS OFFICE PHOTO  
12 SCALE: 3/8" = 1'-0"



3 LABORATORY ROOM PHOTO  
12 SCALE: 3/8" = 1'-0"




4 OPERATIONS OFFICE (ELECTRICAL EQUIP.)  
12 SCALE: 3/8" = 1'-0"

REVISION	BY	DATE

BAR IS ONE INCH ON ORIGINAL DRAWING 0 1" IF NOT ONE INCH ON THIS SHEET, ADJUST SCALES ACCORDINGLY

203.200.D OPERATIONS LABORATORY & OPERATIONS ROOM REMODEL PHOTOS  
WATER POLLUTION CONTROL CAPITAL EQUIPMENT REPLACEMENTS RMUA PROJECT WPC 25-2  
CITY OF TULSA, OKLAHOMA  
TULSA METROPOLITAN UTILITY AUTHORITY  
WATER AND SEWER DEPARTMENT

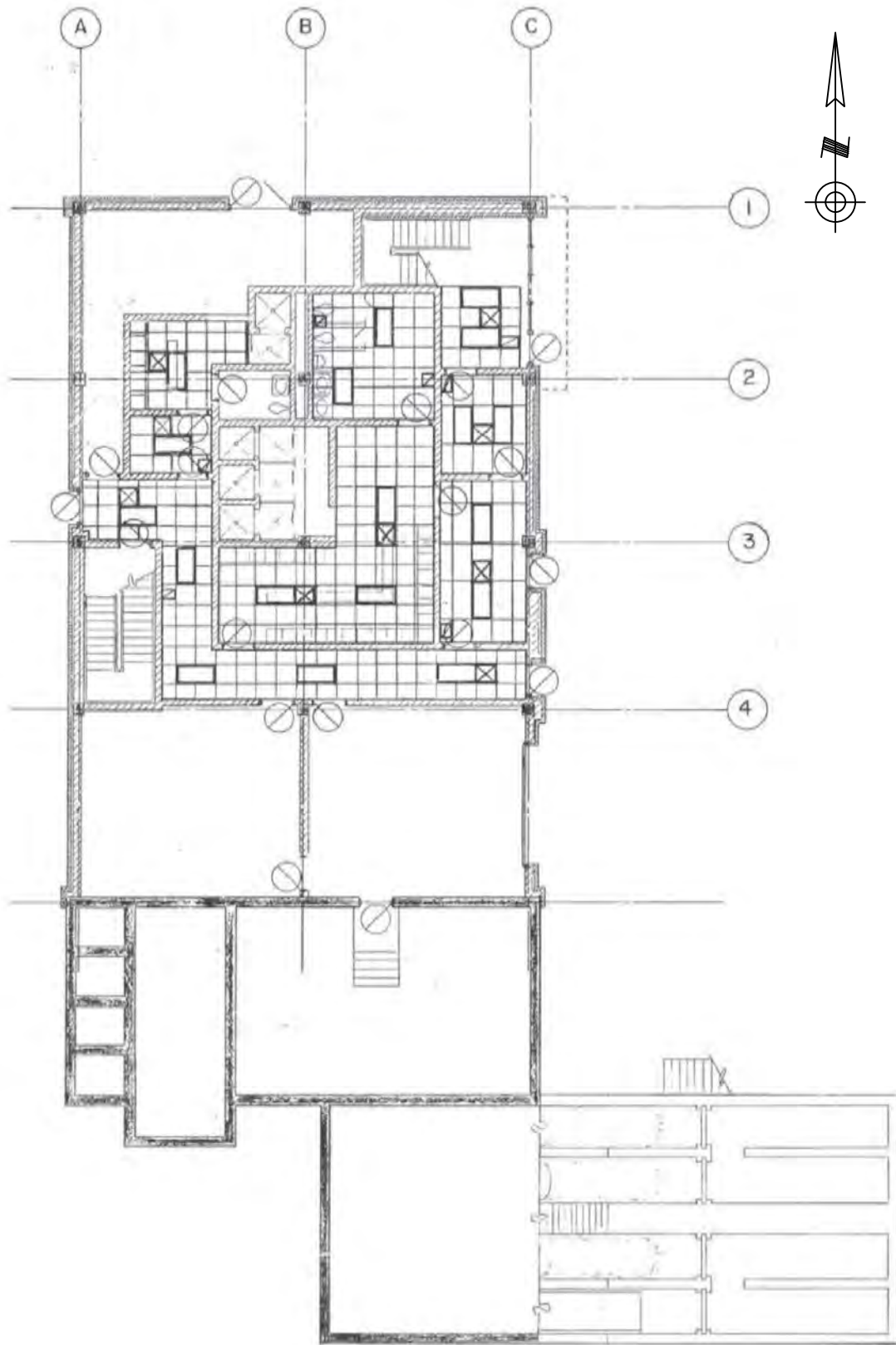
PLANS AND ESTIMATES PREPARED BY:		 <b>HOLLOWAY, UPDIKE + BELLEN, Inc.</b> 2001 N. WILLOW AVE., BROKEN ARROW, OKLAHOMA 74012 (918) 259-0770, FAX (918) 259-0764	
PLAN SCALE:	DRAWN	CMW	APPROVED:
	DESIGNED	TJR	
	SURVEY		
PROFILE SCALE:	PROJ. MGR.		
	LEAD ENGR.		
HORIZONTAL:	FIELD MGR.	TJR	
VERTICAL:			
FILE:	DRAWING:		DATE: 2025
ATLAS PAGE NO: ---			SHEET 12 OF 19 SHEETS



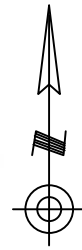
Z:\Projects\2024\24RWUAWPC25-2\Design\Production\Plans\203.100.dwg, 1/24/2025 10:43:48 AM



Z:\Projects\2024\24RWUAWPC25-2\Design\Production\Plans\203.100.dwg, 1/24/2025 10:43:51 AM

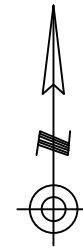


1  
13 PLAN @ OPERATIONS BUILDING FIRST FLOOR PLAN REFLECTED CEILING SCALE: 1/8" = 1'-0"



2  
13 PLAN @ OPERATIONS BUILDING SECOND FLOOR PLAN REFLECTED CEILING SCALE: 1/8" = 1'-0"

LEGEND  
 □ = PICTURE  
 ⊗ = SUPPLY AIR  
 ⊕ = RETURN AIR



NOTES:

1. SEE & COORDINATE NEW WORK WITH ELECTRICAL AND MECHANICAL WORK, SEE SHEET E3.
2. REPLACE CEILING TILES, GRID & SUPPORTS. PROTECT & COORDINATE WITH HVAC EQUIPMENT & LIGHTING AS REQUIRED.

REVISION	BY	DATE

BAR IS ONE INCH ON ORIGINAL DRAWING 0 1" IF NOT ONE INCH ON THIS SHEET, ADJUST SCALES ACCORDINGLY

REFERENCE ORIGINAL SA 83-1 RECORD DRAWINGS FOR ADDITIONAL DETAILS & INFORMATION

203.200.E OPERATIONS LABORATORY & OPERATIONS ROOM CEILING PANEL REPLACEMENT & WALL PAINTING

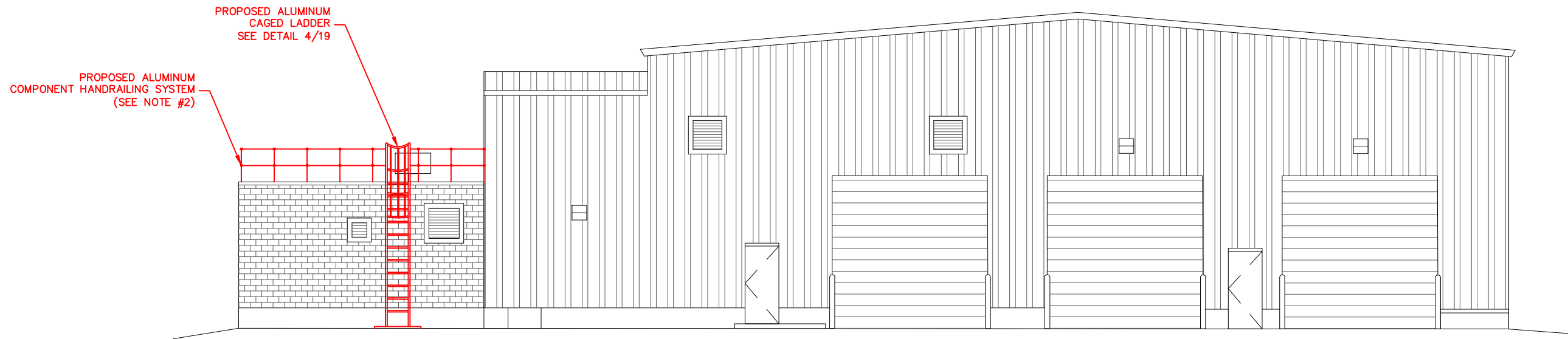
WATER POLLUTION CONTROL CAPITAL EQUIPMENT REPLACEMENTS RMUA PROJECT WPC 25-2

CITY OF TULSA, OKLAHOMA  
 TULSA METROPOLITAN UTILITY AUTHORITY  
 WATER AND SEWER DEPARTMENT

PLANS AND ESTIMATES PREPARED BY: **HOLLOWAY, UPDIKE + BELLEN, Inc.**  
 2001 N. WILLOW AVE., BROKEN ARROW, OKLAHOMA 74012  
 (918) 258-0770, FAX (918) 258-0764

PLAN SCALE:	DRAWN	CMW	APPROVED:
	DESIGNED	TJR	
	SURVEY		
PROFILE SCALE:	PROJ. MGR.		
	LEAD ENGR.		
HORIZONTAL:	FIELD MGR.	TJR	
VERTICAL:			
FILE:	DRAWING:	DATE:	2025
ATLAS PAGE NO:	---	SHEET	13 OF 19 SHEETS





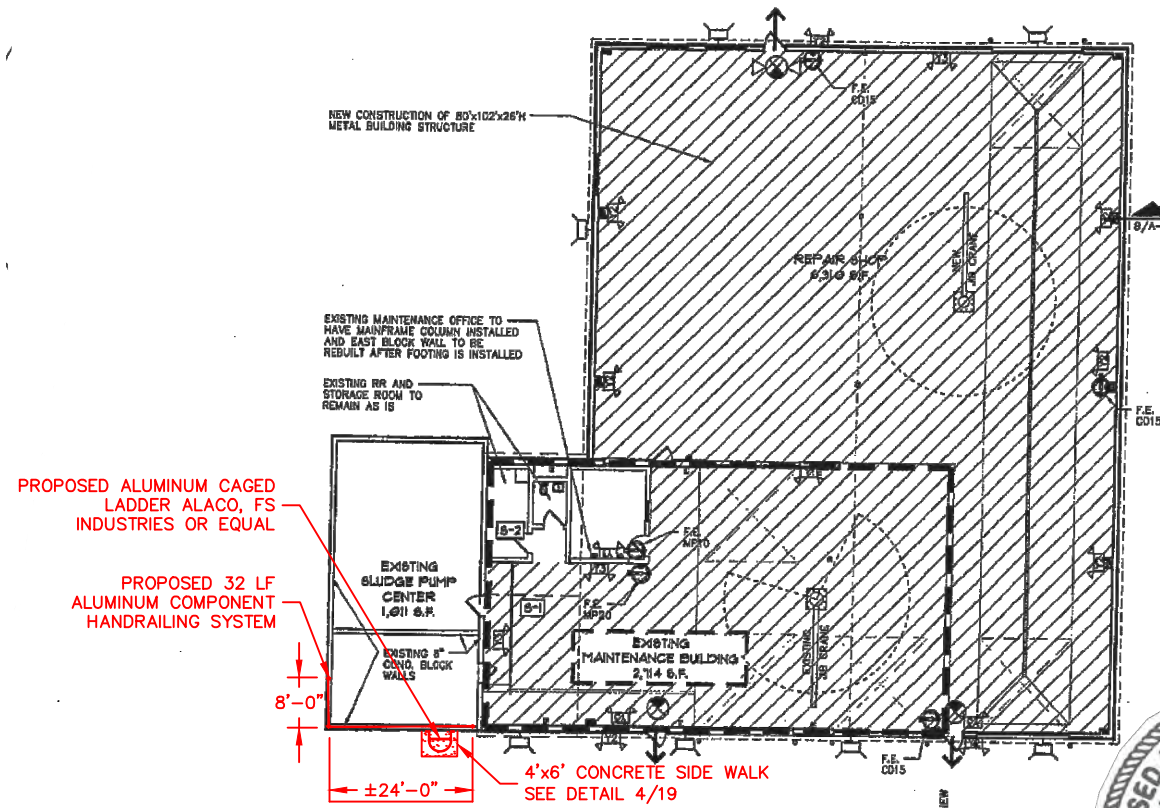
1 MAINTENANCE EAST ELEVATION  
14 NTS

**NOTES:**

1. ALL BOLTS, ANCHOR BOLTS & FASTENERS SHALL BE 316 STAINLESS STEEL.
2. COORDINATE FOUR ANCHOR BOLT CONNECTIONS TO THE ROOF SYSTEM(S) PER MANUFACTURER'S RECOMMENDATIONS.



2 MAINTENANCE BUILDING PHOTO  
14 SCALE: 3/4" = 1'-0"

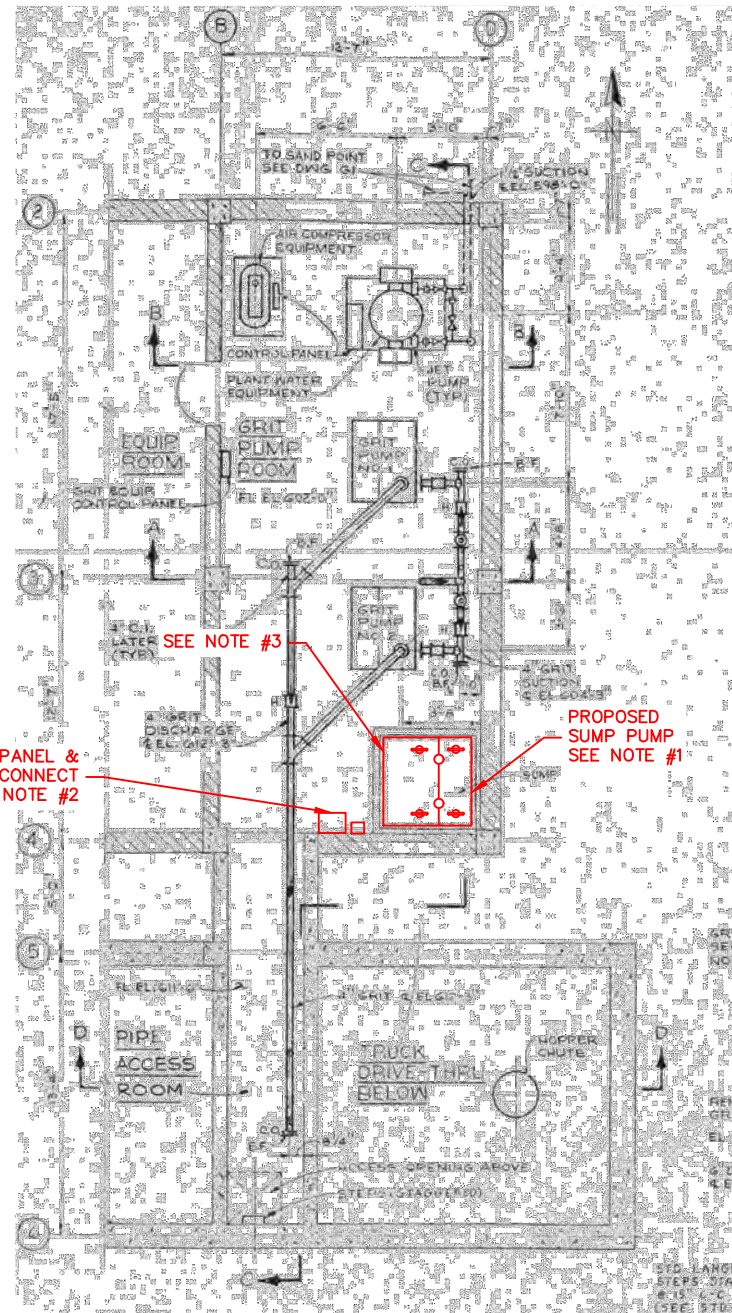


3 MAINTENANCE BUILDING PLAN  
14 SCALE: 3/8" = 1'-0"

REVISION	BY	DATE
BAR IS ONE INCH ON ORIGINAL DRAWING 0 1" THIS SHEET, ADJUST SCALES ACCORDINGLY		
REFERENCE ORIGINAL ES2016-03 RECORD DRAWINGS FOR ADDITIONAL DETAILS & INFORMATION		
203.300 MAINTENANCE BUILDING ACCESS & SAFETY IMPROVEMENTS		
WATER POLLUTION CONTROL CAPITAL EQUIPMENT REPLACEMENTS RMUA PROJECT WPC 25-2		
CITY OF TULSA, OKLAHOMA TULSA METROPOLITAN UTILITY AUTHORITY WATER AND SEWER DEPARTMENT		
PLANS AND ESTIMATES PREPARED BY:  HOLLOWAY, UPDIKE + BELLEN, Inc. 2001 N. WILLOW AVE., BROKEN ARROW, OKLAHOMA 74012 (918) 258-0770, FAX (918) 258-0764		
PLAN SCALE:	DRAWN DESIGNED SURVEY	CMW TJR
PROFILE SCALE:	PROJ. MGR. LEAD ENGR. FIELD MGR.	TJR
HORIZONTAL:		
VERTICAL:		
FILE:	DRAWING:	DATE: 2025
ATLAS PAGE NO: ---		SHEET 14 OF 19 SHEETS







SEE NOTE #3

CONTROL PANEL & LOCAL DISCONNECT SEE NOTE #2

PROPOSED SUMP PUMP SEE NOTE #1

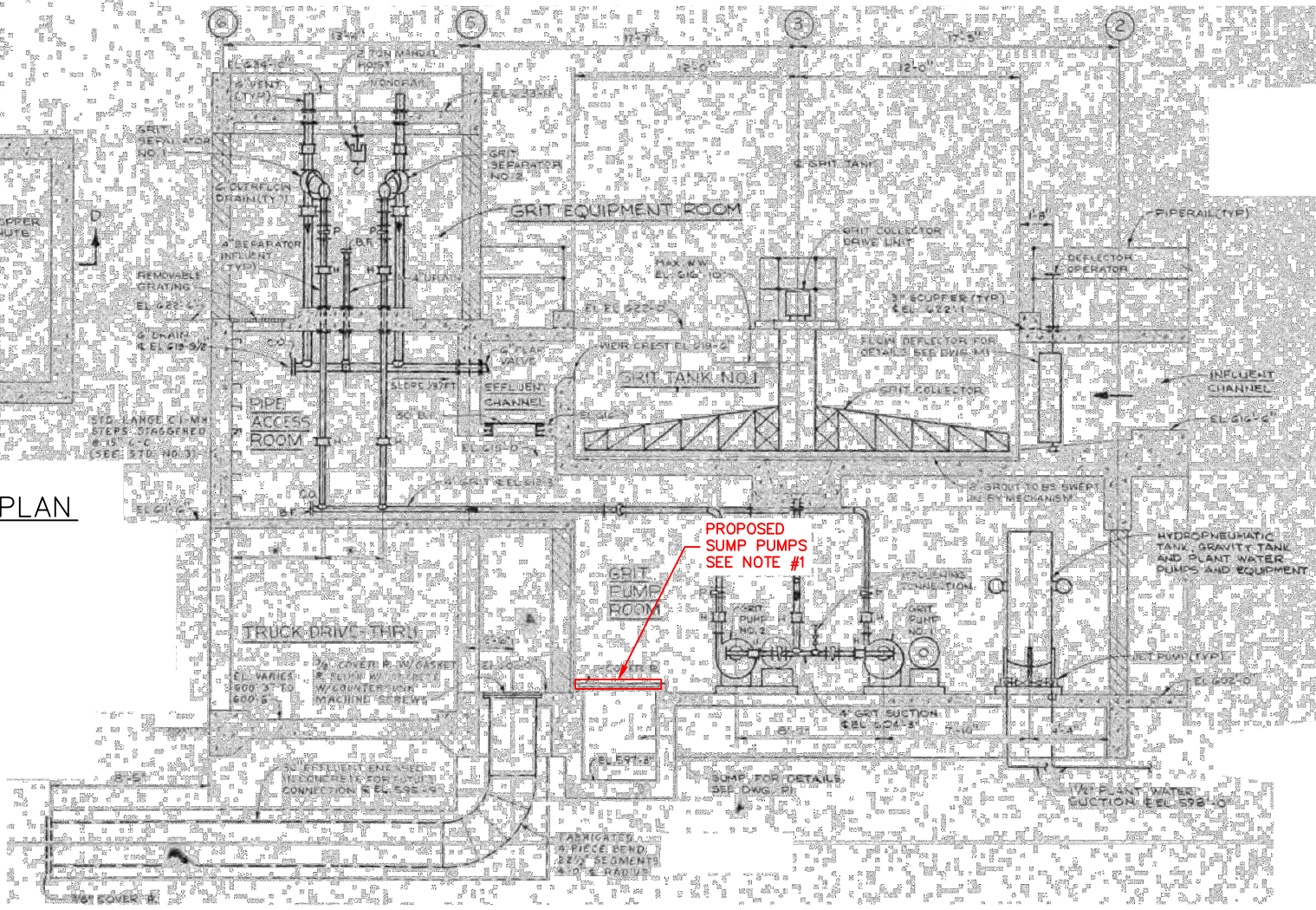
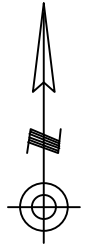
1 GRIT FACILITY PARTIAL PLAN  
15 SCALE: 1/2" = 1'-0"



RELOCATE WATER LINE EAST AS INDICATED FOR NEW DISCONNECT & PANEL.

A EXISTING SUMP PUMP PHOTO  
15 SCALE: 1/4" = 1'-0"

- NOTES:
- DEMOLISH EXISTING SUMP PUMPS, PIPING, VALVES, CONTROL PANEL CONDUITS & WIRING BACK TO SOURCE. INSTALL NEW 304 SS NEMA 4X CONTROL PANEL AND WIRING BACK TO SOURCE. DEMOLISH EXISTING 120V PUMPS, WIRE & CONDUIT AS REQUIRED. PROVIDE TWO (2) 480V PUMPS, WIRE & CONDUIT. PROVIDE WIRE & CONDUIT BACK TO MCC IN THE ELECTRICAL ROOM, FIRST FLOOR.
  - PROVIDE NEW LOCAL DISCONNECT & CONTROL PANEL FOR EACH PUMP AS SHOWN. WALL MOUNT CONTROL PANEL & DISCONNECT.
  - PROTECT & MODIFY CONCRETE CURB AS REQUIRED. PROVIDE NEW CUSTOM 1/4" ALUMINUM DIAMOND PLATE HATCH COVER WITH 1/2" SMOOTH ROD HANDLES.



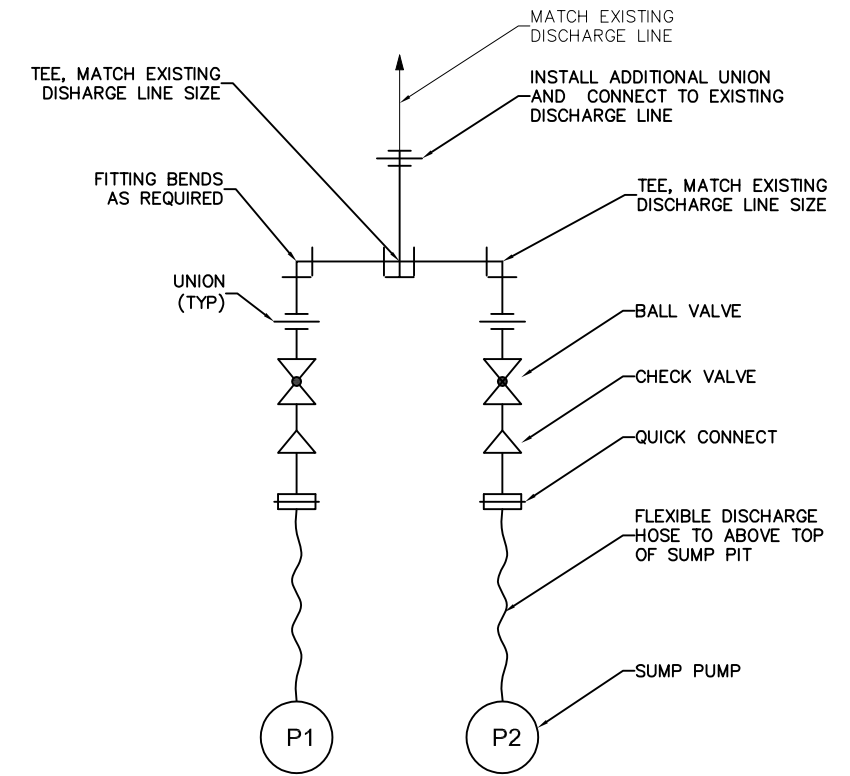
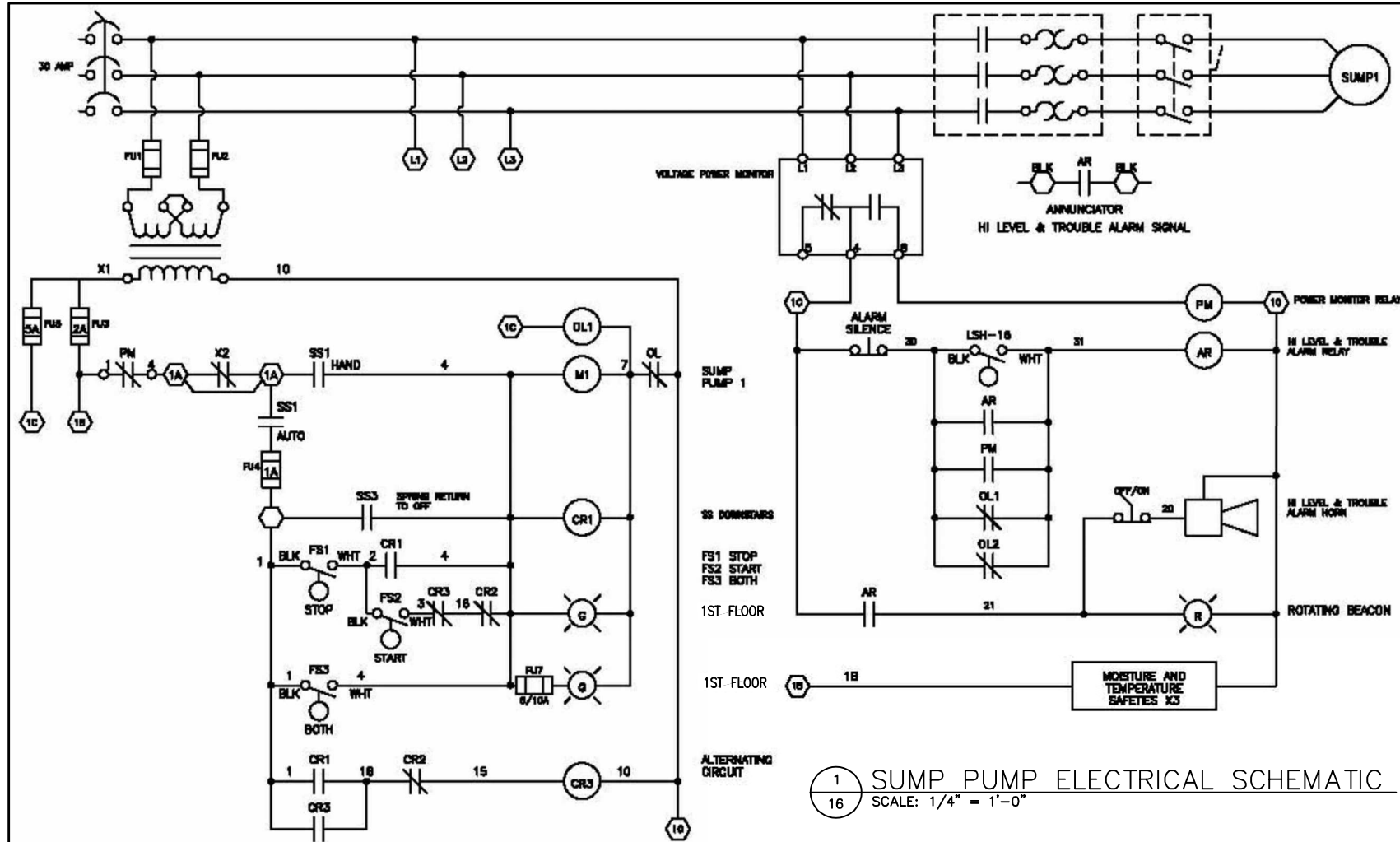
2 GRIT FACILITY SECTION  
15 SCALE: 1/2" = 1'-0"



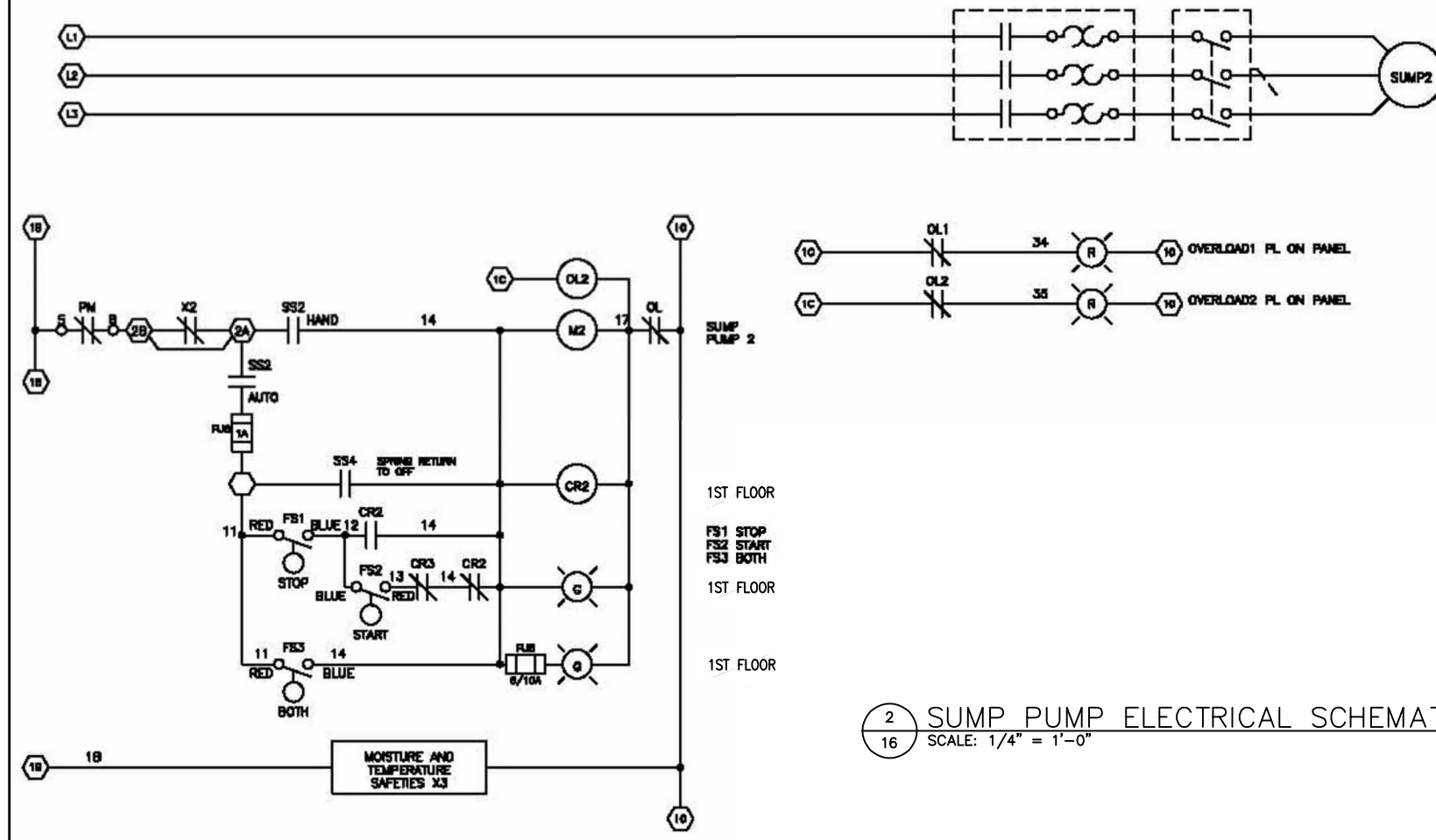
REVISION	BY	DATE
BAR IS ONE INCH ON ORIGINAL DRAWING 0 1" IF NOT ONE INCH ON THIS SHEET, ADJUST SCALES ACCORDINGLY		
REFERENCE ORIGINAL SA AR-5 RECORD DRAWINGS FOR ADDITIONAL DETAILS & INFORMATION		
203.400.A GRIT FACILITY BUILDING SUMP PUMP REPLACEMENT		
WATER POLLUTION CONTROL CAPITAL EQUIPMENT REPLACEMENTS RMUA PROJECT WPC 25-2		
CITY OF TULSA, OKLAHOMA TULSA METROPOLITAN UTILITY AUTHORITY WATER AND SEWER DEPARTMENT		
PLANS AND ESTIMATES PREPARED BY:  HOLLOWAY, UPDIKE + BELLEN, Inc. 2001 N. WILLOW AVE., BROCKTON AVEENUE, OKLAHOMA 74002 918-628-0777, FAX 918-628-0764		
PLAN SCALE:	DRAWN CMW DESIGNED TJR SURVEY	APPROVED:
PROFILE SCALE:	PROJ. MGR. LEAD ENGR. FIELD MGR. TJR	DESIGN ENGINEERING MANAGER
HORIZONTAL:		
VERTICAL:		
FILE:	DRAWING:	DATE: 2025
ATLAS PAGE NO: ---		SHEET 15 OF 19 SHEETS

Z:\Projects\2024\24RWUAWPC25-2\Design\Production\Plans\203.300.dwg, 1/24/2025 10:44:01 AM





PROPOSED PUMP INFORMATION											
PUMP ID	SERVICE	DRIVE	CAPACITY (GPM)	TDH (FT)	MIN% EFFICIENCY	HP	VOLTAGE	PHASE	HZ	SPEED (RPM)	DISCHARGE (IN)
#1	RAW SEWAGE	VARIABLE	100	30'		1/MIN	480V	3	60	3450	2"
#2	RAW SEWAGE	VARIABLE	100	30'		1/MIN	480V	3	60	3450	2"



REVISION	BY	DATE

BAR IS ONE INCH ON ORIGINAL DRAWING 0 1" IF NOT ONE INCH ON THIS SHEET, ADJUST SCALES ACCORDINGLY

REFERENCE ORIGINAL RMUA PROJECT 21-2 RECORD DRAWINGS FOR ADDITIONAL DETAILS & INFORMATION

203.400.B GRIT FACILITY BUILDING SUMP PUMP SCHEMATIC

WATER POLLUTION CONTROL CAPITAL EQUIPMENT REPLACEMENTS RMUA PROJECT WPC 25-2

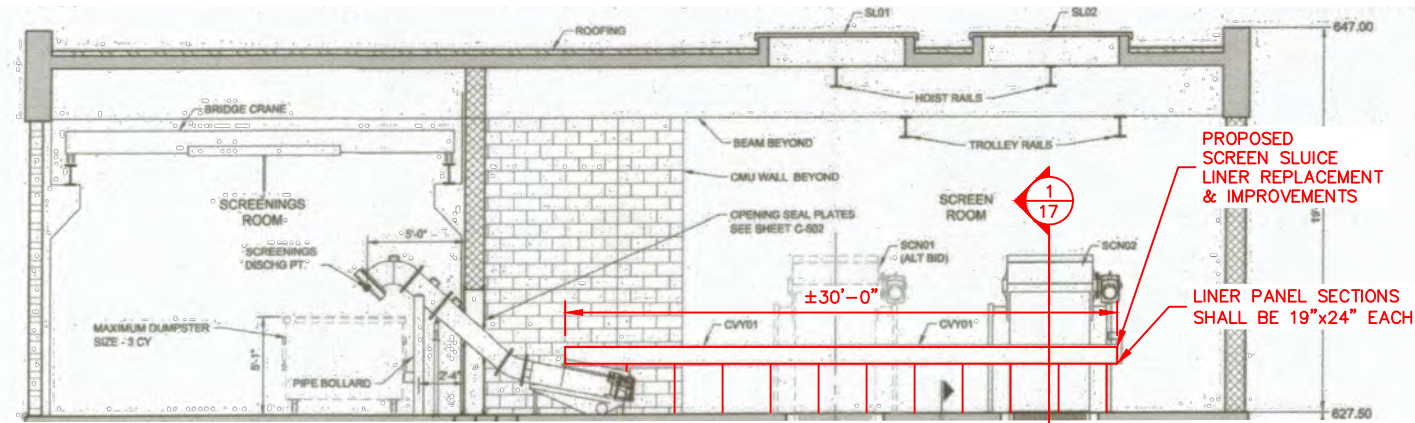
CITY OF TULSA, OKLAHOMA  
TULSA METROPOLITAN UTILITY AUTHORITY  
WATER AND SEWER DEPARTMENT

PLANS AND ESTIMATES PREPARED BY: **HOLLOWAY, UPDIKE + BELLEN, Inc.**  
2001 N WILLOW AVE, BROKEN ARROW, OKLAHOMA 74012  
918-251-0777, FAX 918-251-0764

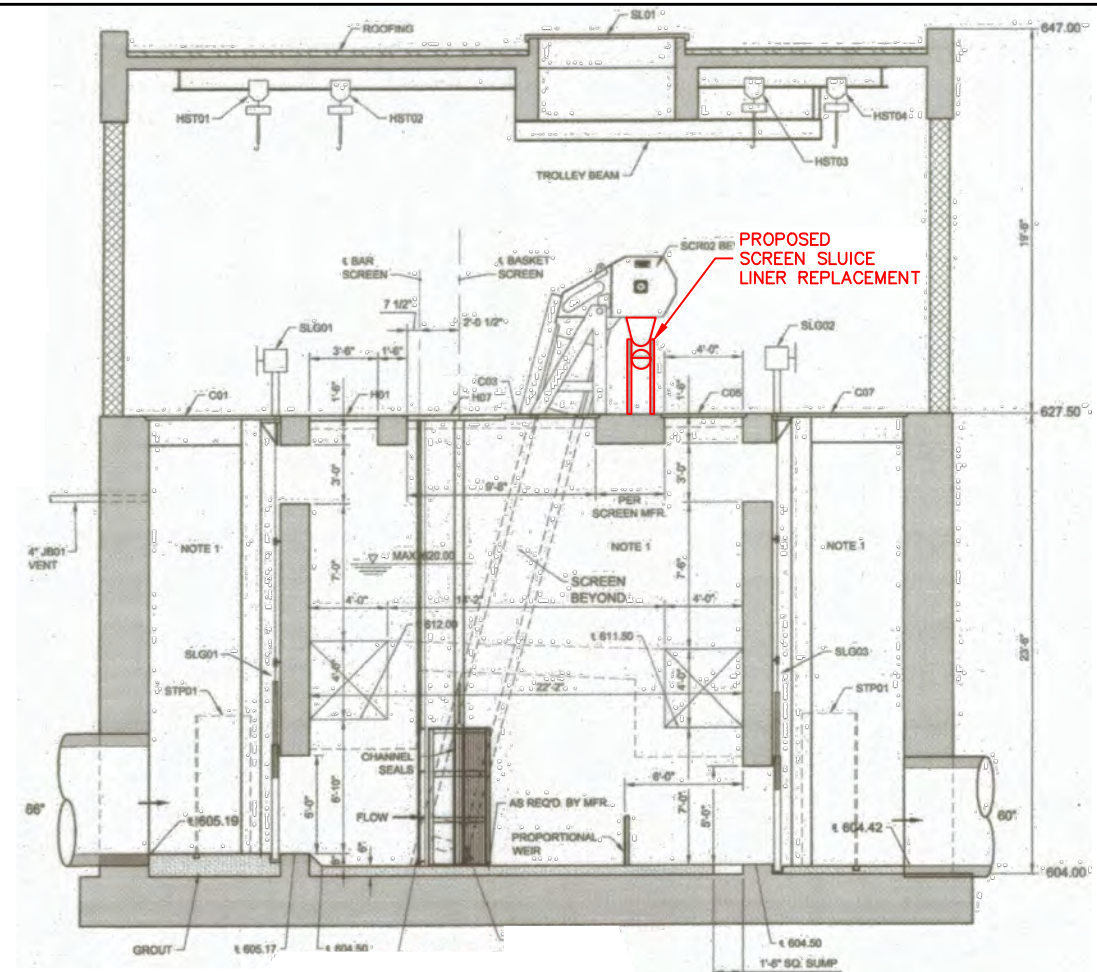
PLAN SCALE:	DRAWN	CMW	APPROVED:
	DESIGNED	TJR	
	SURVEY		
PROFILE SCALE:	PROJ. MGR.		
	LEAD ENGR.		
HORIZONTAL:	FIELD MGR.	TJR	
VERTICAL:			
FILE:	DRAWING:	DATE: 2025	DESIGN ENGINEERING MANAGER
ATLAS PAGE NO: ---			SHEET 16 OF 19 SHEETS



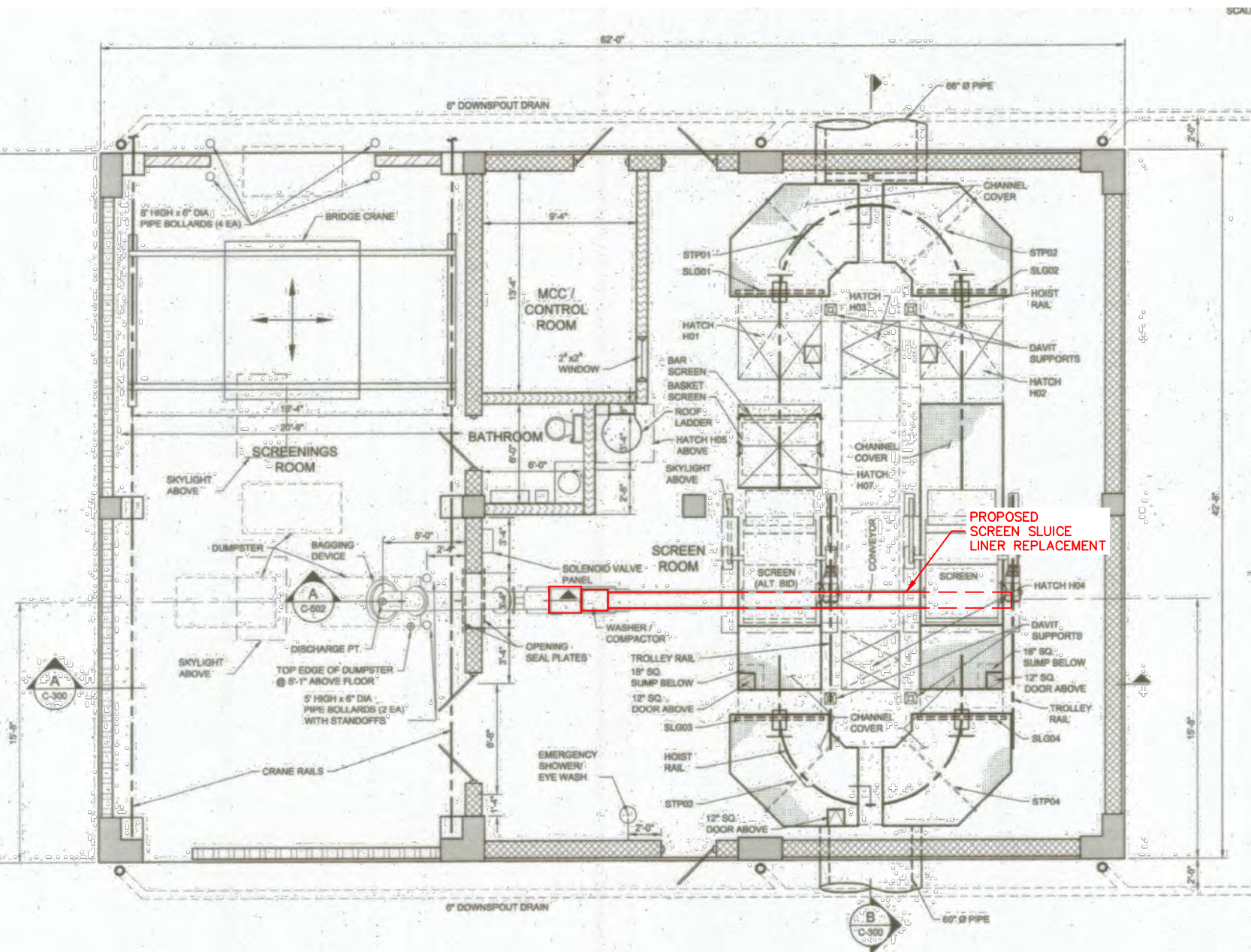




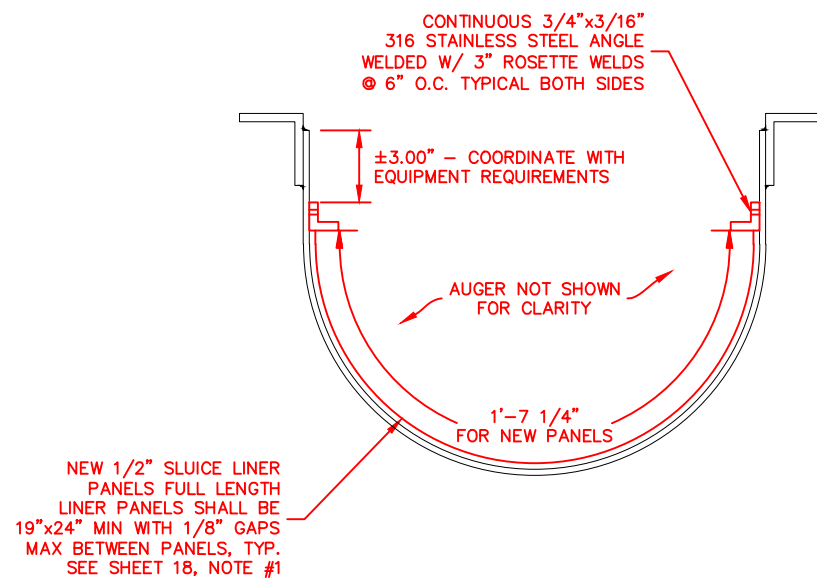
3 HAIKEY CREEK LS SCREEN FACILITY SECTION  
 17 SCALE: 1/2" = 1'-0"



1 HAIKEY CREEK LS SCREEN FACILITY SECTION  
 17 SCALE: 1/2" = 1'-0"



2 HAIKEY CREEK LS SCREEN FACILITY PLAN  
 17 SCALE: 1/2" = 1'-0"



3 CUSTOM SLUICE MODIFICATIONS  
 17 SCALE: NTS

REVISION	BY	DATE

BAR IS ONE INCH ON ORIGINAL DRAWING 1" IF NOT ONE INCH ON THIS SHEET, ADJUST SCALES ACCORDINGLY

REFERENCE ORIGINAL ES2009-IDC2 RECORD DRAWINGS FOR ADDITIONAL DETAILS & INFORMATION

203.500.A HAIKEY CREEK LIFT STATION BAR SCREEN CONVEYOR TROUGH LINER REPLACEMENT

WATER POLLUTION CONTROL CAPITAL EQUIPMENT REPLACEMENTS RMUA PROJECT WPC 25-2

CITY OF TULSA, OKLAHOMA  
 TULSA METROPOLITAN UTILITY AUTHORITY  
 WATER AND SEWER DEPARTMENT

PLANS AND ESTIMATES PREPARED BY: **HOLLOWAY, UPDIKE + BELLEN, Inc.**  
 2001 N. WILLOW AVE., BROKEN ARROW, OKLAHOMA 74002  
 (918)228-0777, FAX (918)228-0764

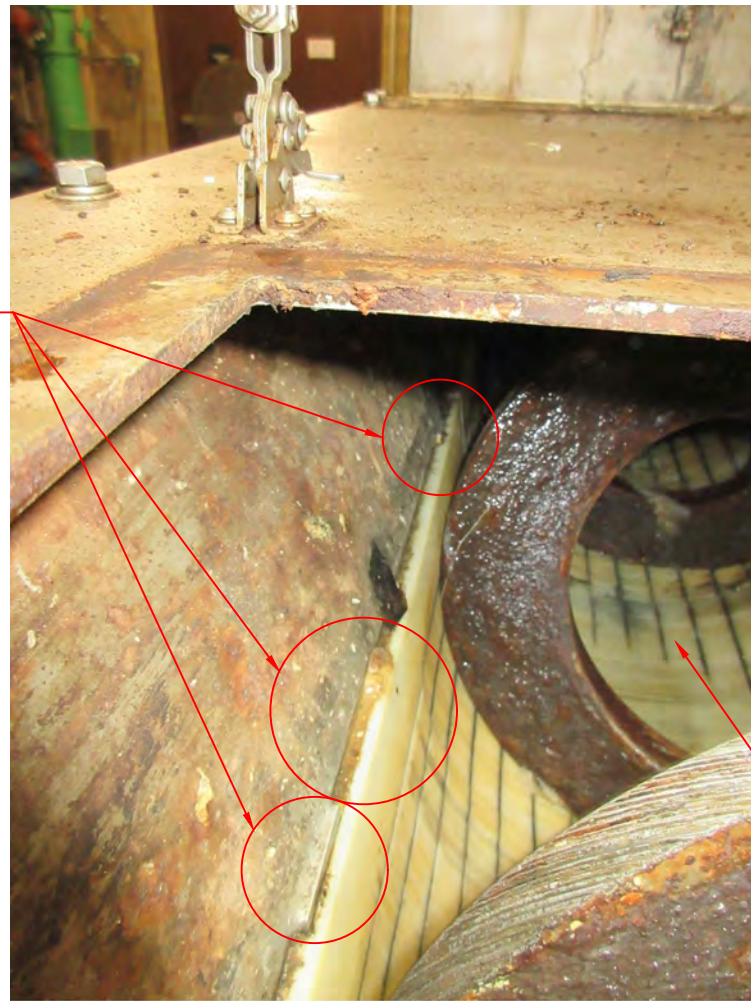
PLAN SCALE:	DRAWN	CMW	APPROVED:
	DESIGNED	TJR	
	SURVEY		
PROFILE SCALE:	PROJ. MGR.		
HORIZONTAL:	LEAD ENGR.		
	FIELD MGR.	TJR	
VERTICAL:			
FILE:	DRAWING:	DATE: 2025	DESIGN ENGINEERING MANAGER
ATLAS PAGE NO: ---			SHEET 17 OF 19 SHEETS



Z:\Projects\2024\24RUAWPC25-2\Design\Production\Plans\203.300.dwg, 1/24/2025 10:44:06 AM



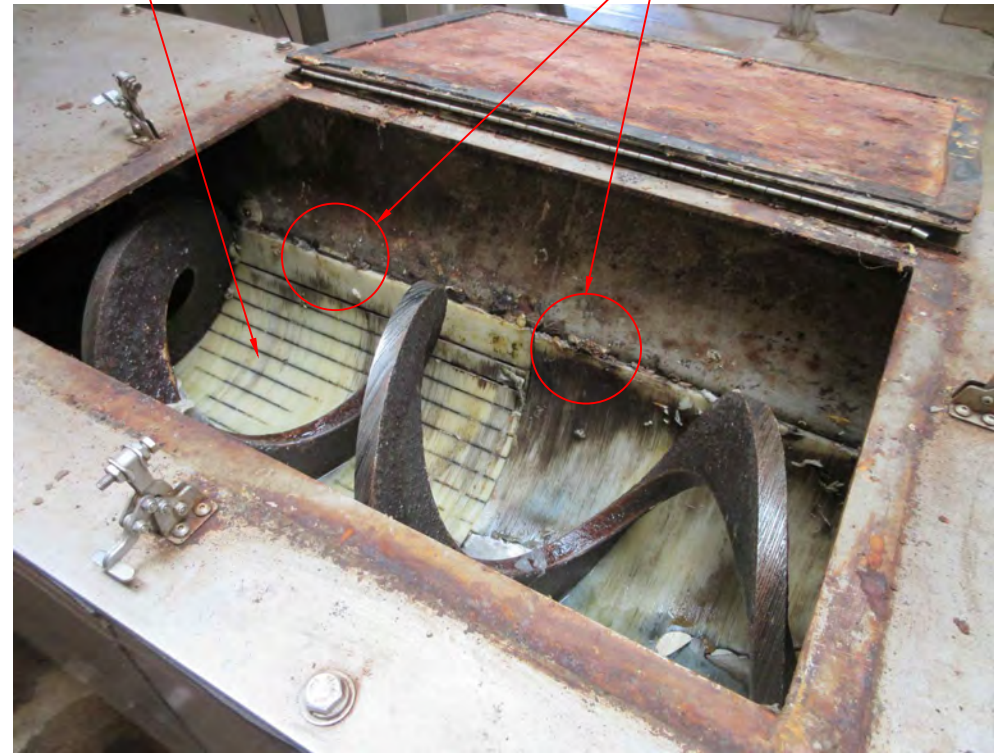
DEMOLISH EXISTING LINER,  
BAR STOCK & WELDS AND  
PREPARE FOR NEW WORK.



1 TROUGH AUGER PHOTO  
SCALE: 1/4" = 1'-0"

DEMOLISH EXISTING  
PLASTIC LINER,  
TYP.

DEMOLISH EXISTING LINER,  
BAR STOCK & WELDS AND  
PREPARE FOR NEW WORK.



DEMOLISH EXISTING  
PLASTIC LINER,  
TYP.

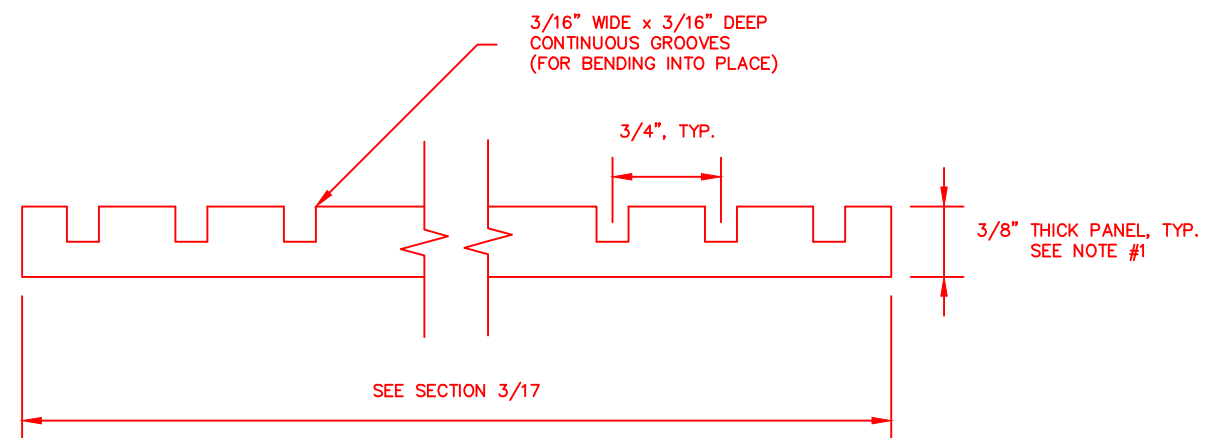
2 TROUGH AUGER PHOTO  
SCALE: 1/4" = 1'-0"

NOTES:

1. PROVIDE LOW FRICTION TIVAR 88 PLASTIC PANELS, BLUE IN COLOR. THE PLASTIC PANEL CUTS AND MACHINE GROOVING SHALL BE COMPLETED BY THE PLASTIC SUPPLIER AT THEIR PROCESSING FACILITIES (NOT ONSITE). ALSO PLASTICS, KELLY BARIBEAU, KBARIBEAU@ALRO.COM 502-313-7236 OR EQUAL. COORDINATE WITH THE PLASTIC SUPPLIER AND SPECIAL ORDER PROCESSING AS REQUIRED FOR INSTALLATION.
2. STAINLESS STEEL MATERIALS SHALL BE 316L.
3. THE CONTRACTOR SHALL PROVIDE A WRITTEN WORK PLAN. THE BAR SCREENS MAY BE REMOVED FROM SERVICE FOR UP TO FOUR WORKING DAYS. THE CONTRACTOR'S WORK SHALL INCLUDE CLEANING OF THE WORK AREA AND THE BAR SCREEN SLUICE, AS REQUIRED FOR THE NEW WORK. THE CONTRACTOR'S WORK WOULD INCLUDE COLLECTION, REMOVAL AND DISPOSAL OF ALL SCREENINGS MATERIALS WHILE TO CONTRACTOR HAS THE BAR SCREEN SLUICE OUT OF SERVICE FOR THE CONTRACTED WORK. THE CONTRACTOR MAY USE THE EXISTING CITY OWNED DUMPSTERS FOR SCREENING DISPOSAL.



3 TROUGH & COMPACTOR PHOTO  
SCALE: 1/4" = 1'-0"



4 LINER SHEET DETAIL (SUPPLEMENTAL)  
SCALE: NTS



REVISION	BY	DATE

BAR IS ONE INCH ON ORIGINAL DRAWING 0 1" IF NOT ONE INCH ON THIS SHEET, ADJUST SCALES ACCORDINGLY

REFERENCE ORIGINAL ES2009-IDC2 RECORD DRAWINGS FOR ADDITIONAL DETAILS & INFORMATION

203.500.B HAIKEY CREEK LIFT STATION BAR SCREEN CONVEYOR TROUGH LINER REPLACEMENT PHOTOS

WATER POLLUTION CONTROL CAPITAL EQUIPMENT REPLACEMENTS RMUA PROJECT WPC 25-2

CITY OF TULSA, OKLAHOMA  
TULSA METROPOLITAN UTILITY AUTHORITY  
WATER AND SEWER DEPARTMENT

PLANS AND ESTIMATES PREPARED BY: **HOLLOWAY, UPDIKE + BELLEN, Inc.**  
2001 N. WILLOW AVE., BROCKTON AVE., OKLAHOMA 74102  
(918) 259-0707, FAX (918) 259-0764

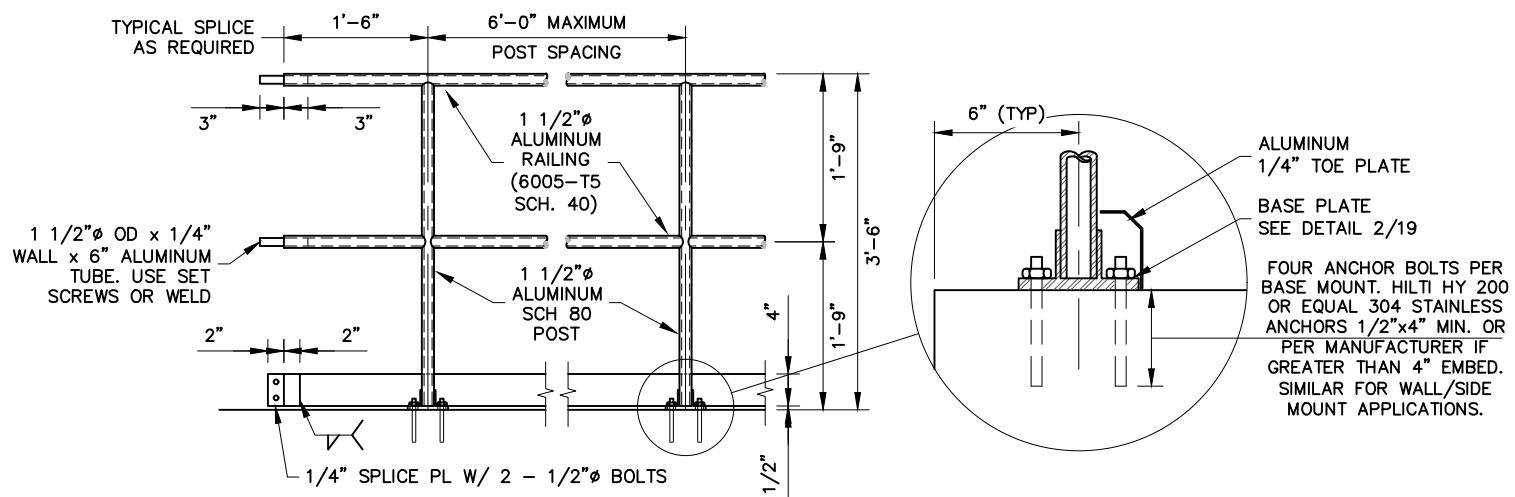
PLAN SCALE:	DRAWN	CMW	APPROVED:
	DESIGNED	TJR	
	SURVEY		
PROFILE SCALE:	PROJ. MGR.		
	LEAD ENGR.		
HORIZONTAL:	FIELD MGR.	TJR	
VERTICAL:			

DESIGN ENGINEERING MANAGER

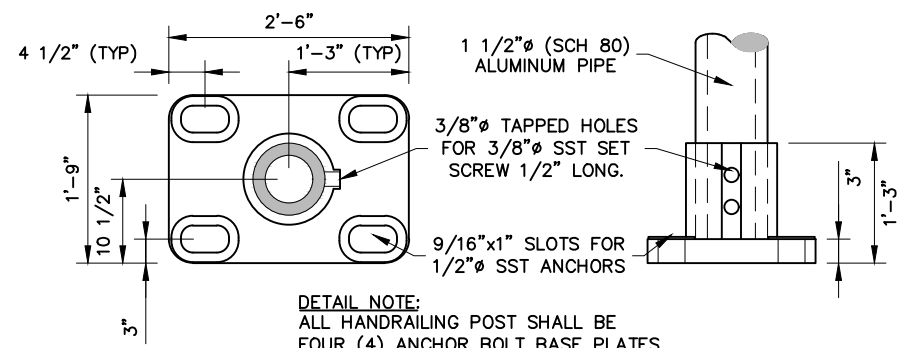
FILE: \_\_\_\_\_ DRAWING: \_\_\_\_\_ DATE: 2025

ATLAS PAGE NO: --- SHEET 18 OF 19 SHEETS

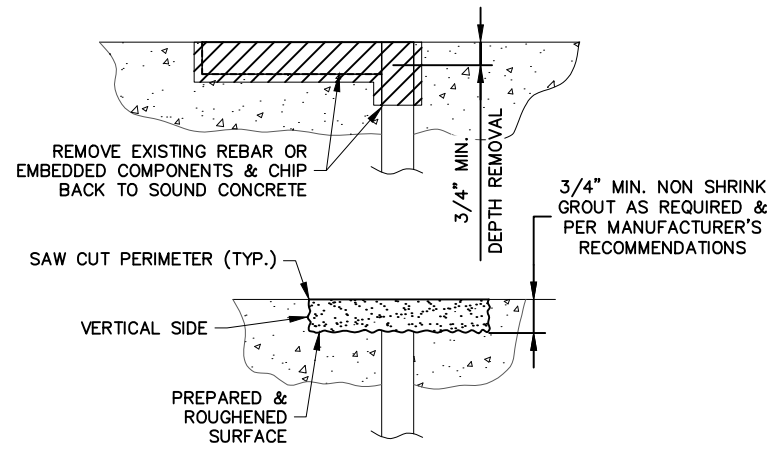




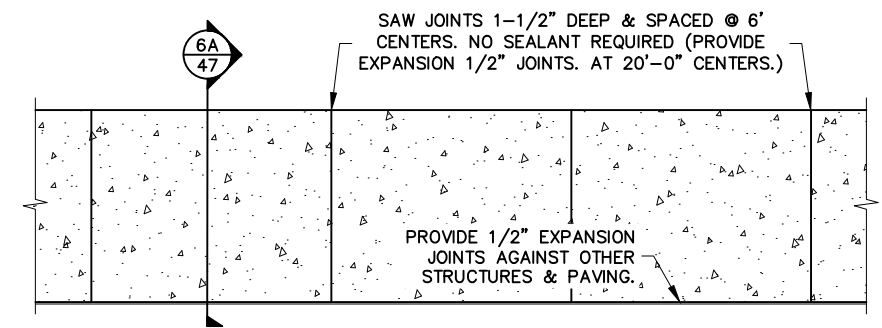
1  
19  
DETAIL @ ALUMINUM HANDRAIL  
SCALE: 3/4" = 1'-0"



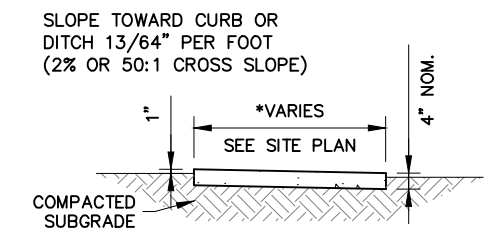
2  
19  
DETAIL @ BASE PLATE  
SCALE: 1/2" = 1'-0"



3  
19  
REBAR & EMBEDDED ITEM  
CONCRETE REPAIR DETAIL  
NTS



4  
19  
PLAN @ SIDEWALK/MOW STRIP  
SCALE: 1/2" = 1'-0"



4  
19  
SECTION @ SIDEWALK/MOW STRIP  
SCALE: 1/2" = 1'-0"

REVISION	BY	DATE

BAR IS ONE INCH ON ORIGINAL DRAWING 0 1" IF NOT ONE INCH ON THIS SHEET, ADJUST SCALES ACCORDINGLY

MISCELLANEOUS DETAILS

WATER POLLUTION CONTROL  
CAPITAL EQUIPMENT REPLACEMENTS  
RMUA PROJECT WPC 25-2

CITY OF TULSA, OKLAHOMA  
TULSA METROPOLITAN UTILITY AUTHORITY  
WATER AND SEWER DEPARTMENT

PLANS AND ESTIMATES PREPARED BY:		HOLLOWAY, UPDIKE + BELLEN, Inc. 2001 N. WILLOW AVE., BROKEN ARROW, OKLAHOMA 74012 (918) 258-0770, FAX (918) 258-0764	
PLAN SCALE:	DRAWN	CMW	APPROVED:
1"=X'	DESIGNED	TJR	
	SURVEY		
PROFILE SCALE:	PROJ. MGR.		
	LEAD ENGR.		
HORIZONTAL:	FIELD MGR.	TJR	
1"=X'			
VERTICAL:			
1"=X'			DESIGN ENGINEERING MANAGER
FILE:	DRAWING:		DATE: 2025
ATLAS PAGE NO: ---			SHEET 19 OF 19 SHEETS



Z:\Projects\2024\24RWUAWPC25-2\Design\Production\Plans\203.100 GRIT BASINS.dwg, 1/24/2025 10:44:15 AM